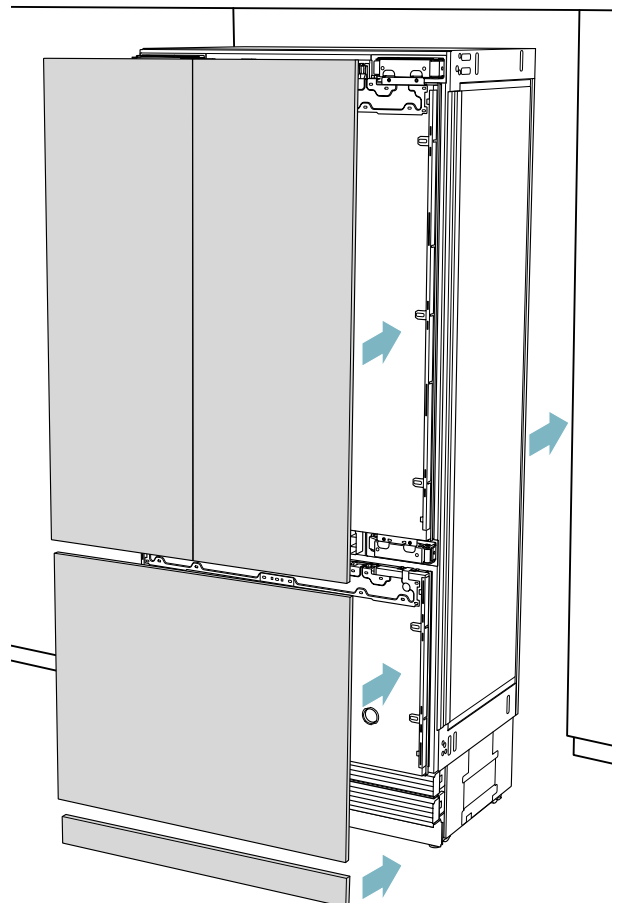
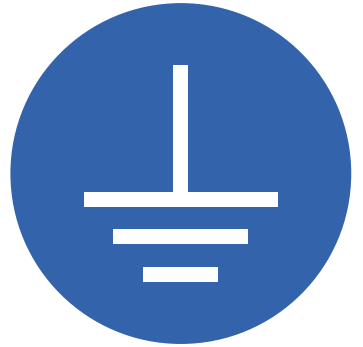
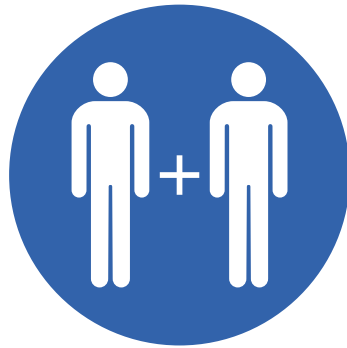


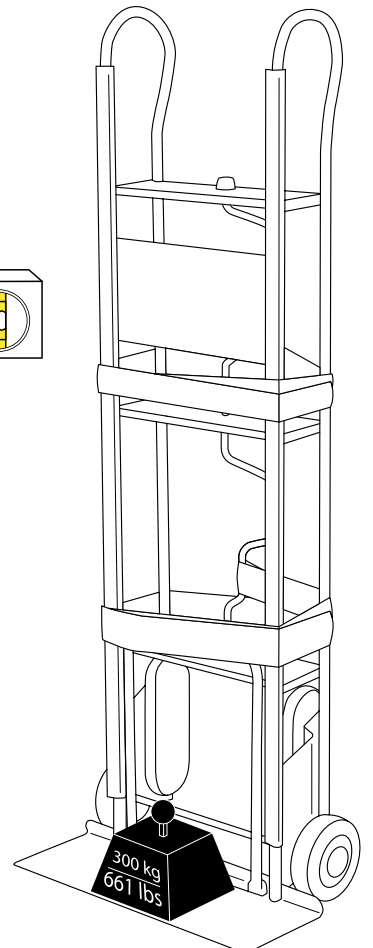
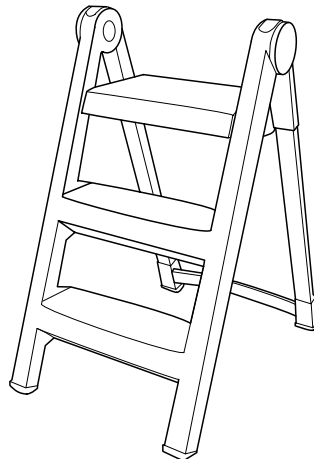
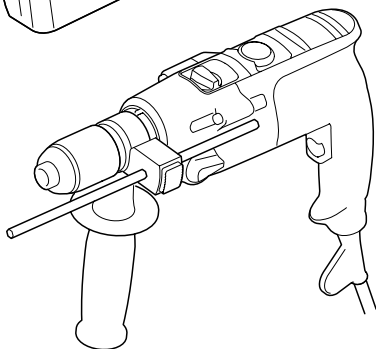
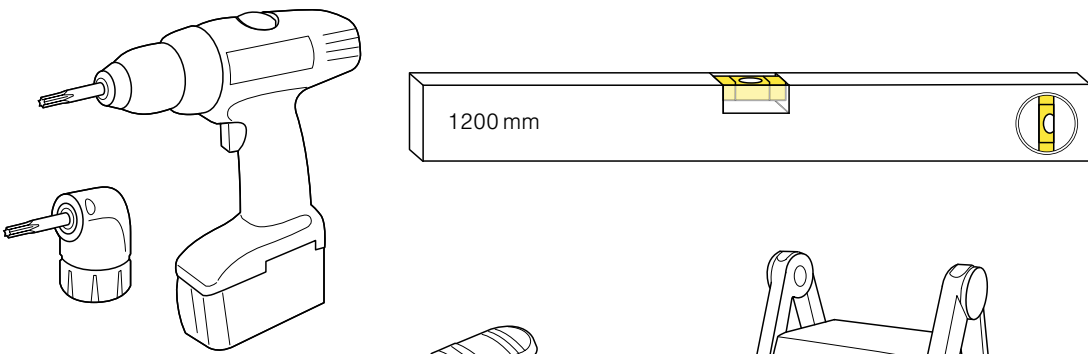
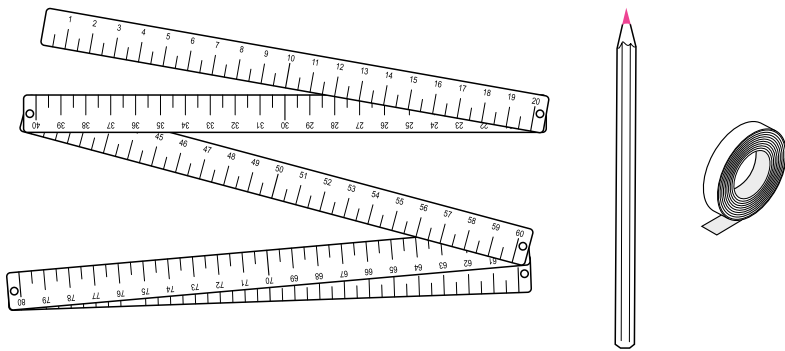
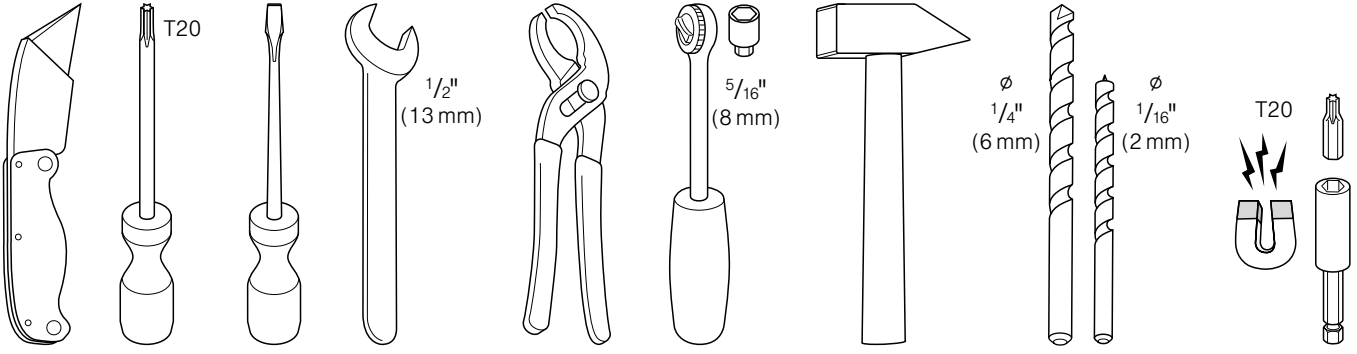
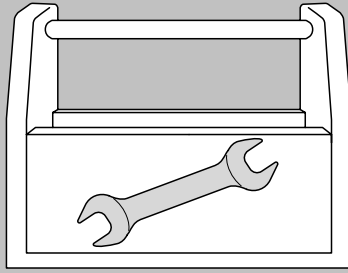
RY492304

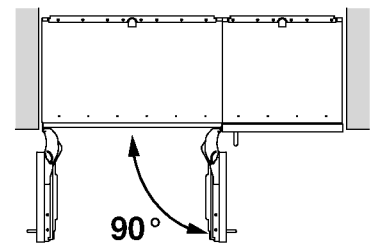
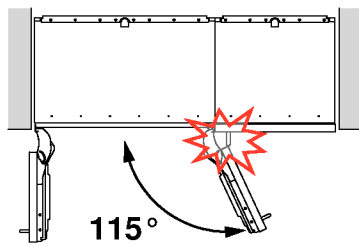
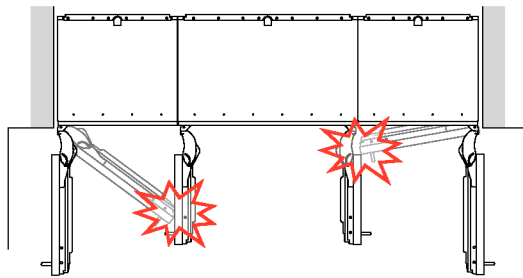
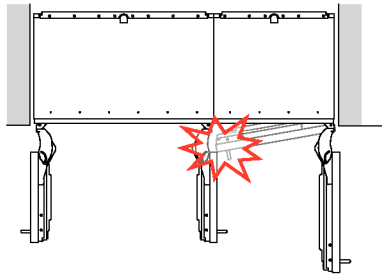
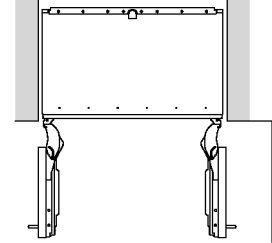
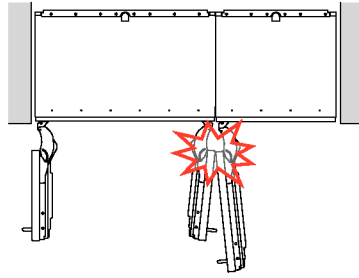
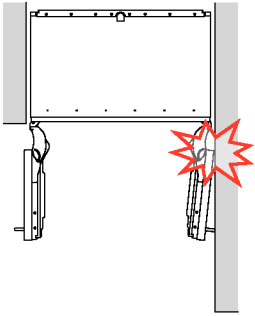
RY492504

RY492904



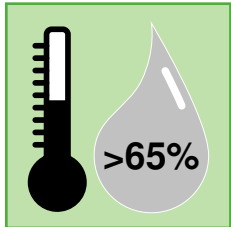




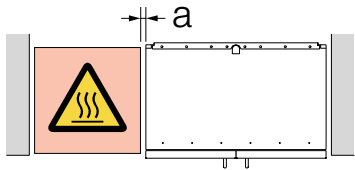
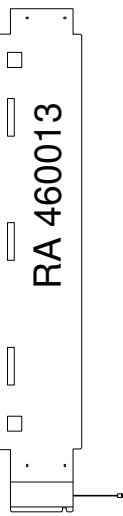
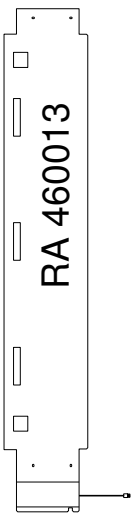




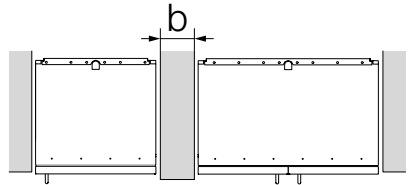
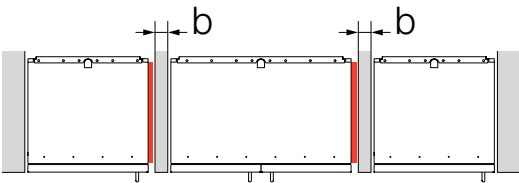
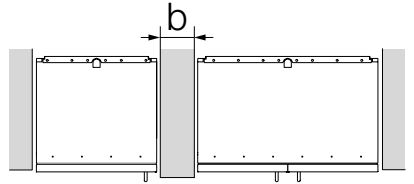
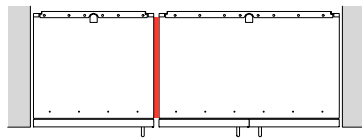
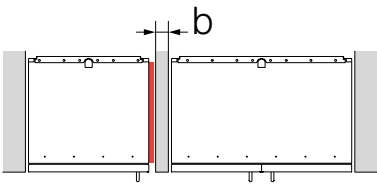
$\frac{5}{8}'' \leq b < 6\frac{1}{4}''$
(16 mm \leq b < 160 mm)

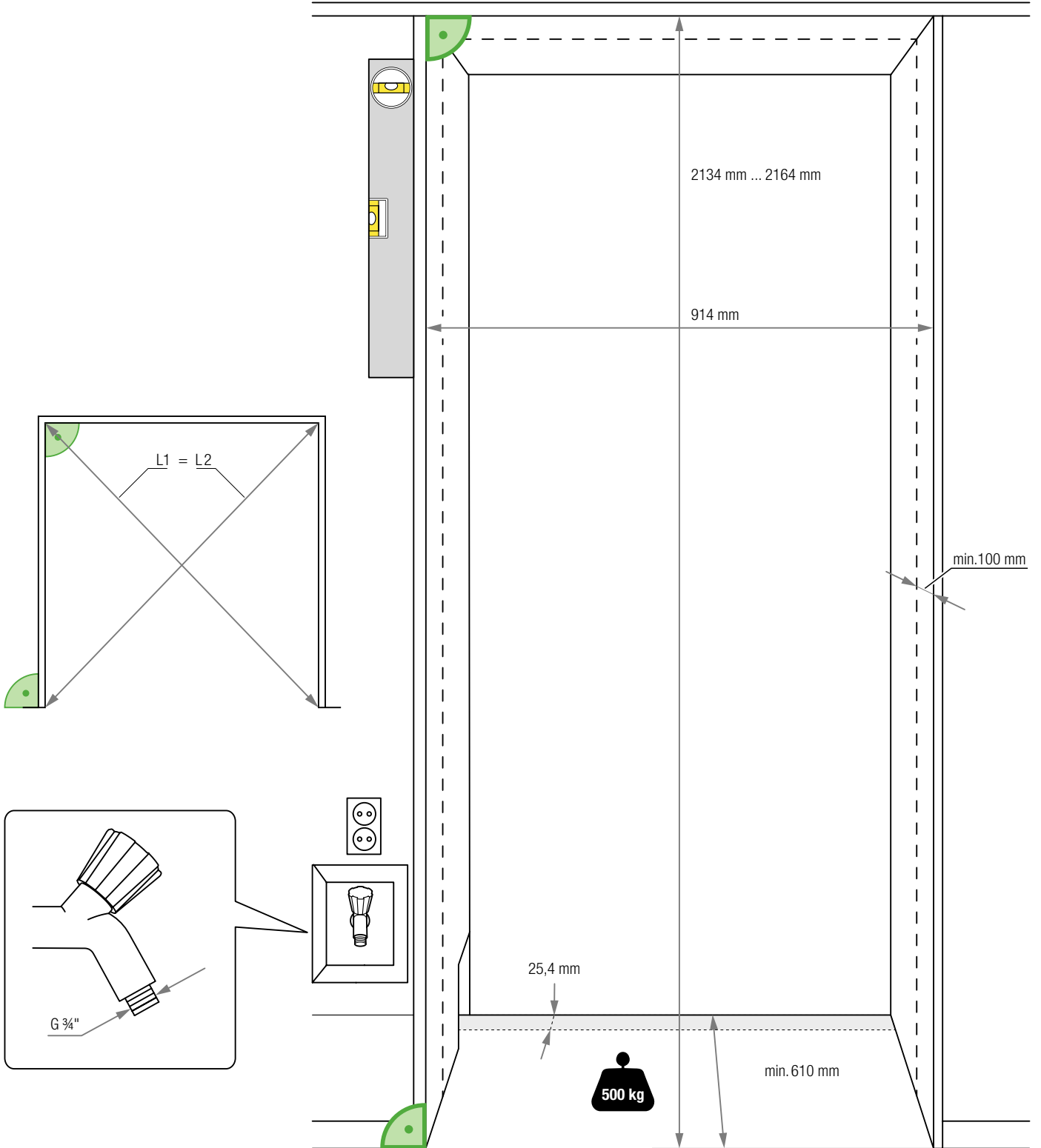
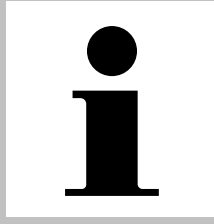


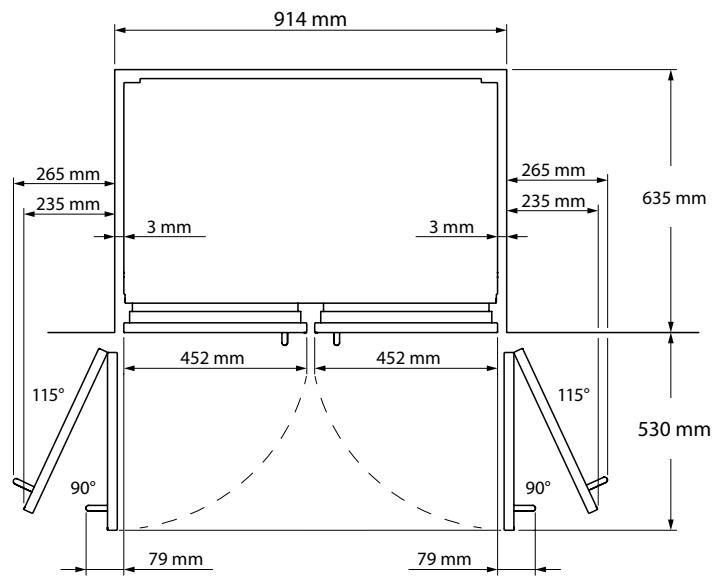
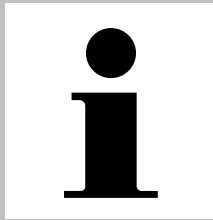
$a \geq 1\frac{3}{16}''$
(a \geq 30 mm)

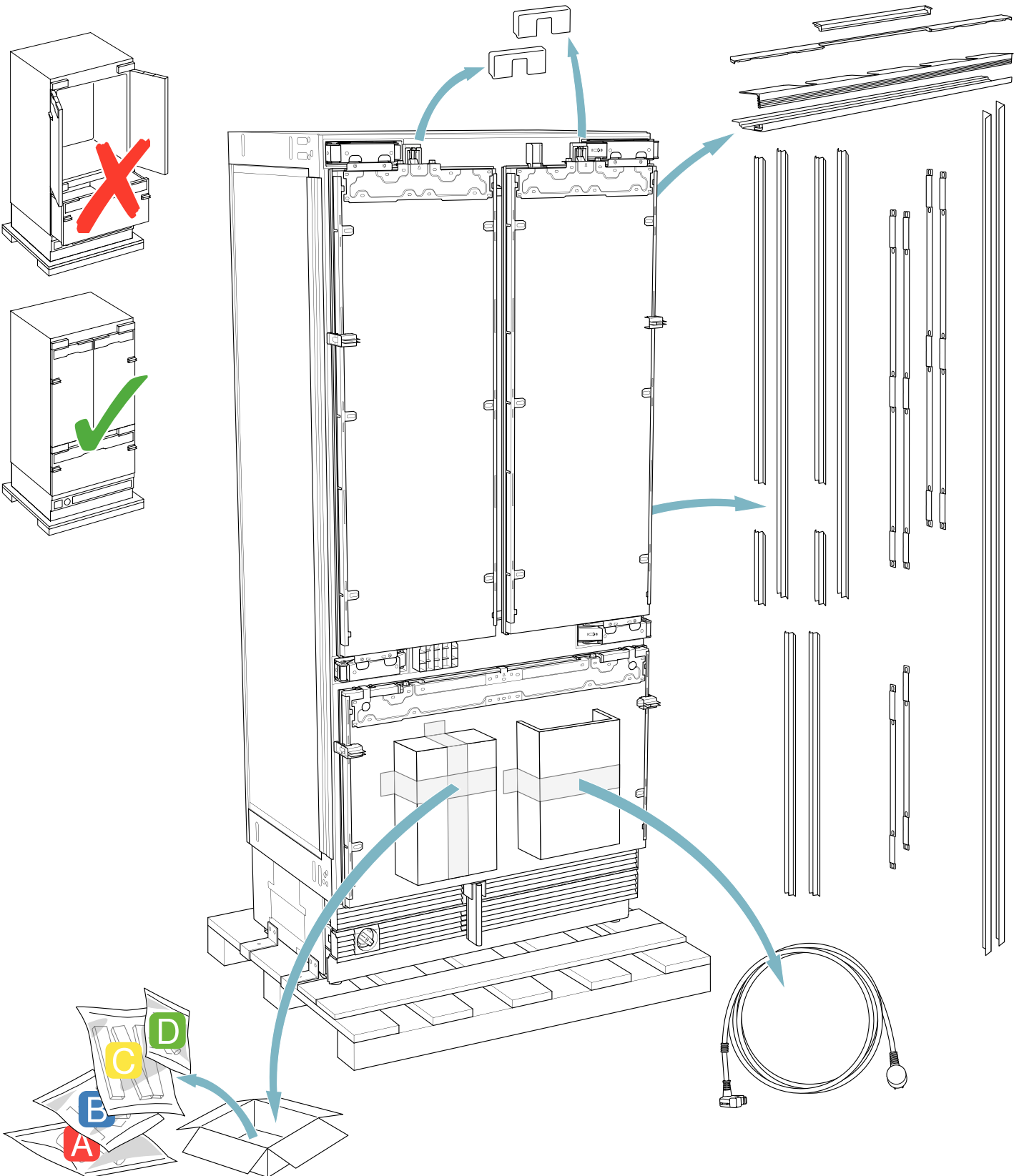
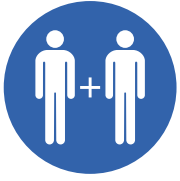


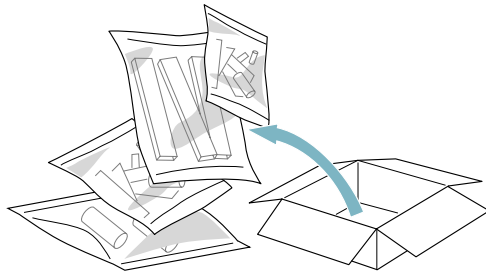
$b \geq 6\frac{1}{4}''$
 $b \geq 160$ mm




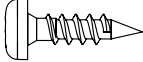


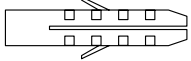


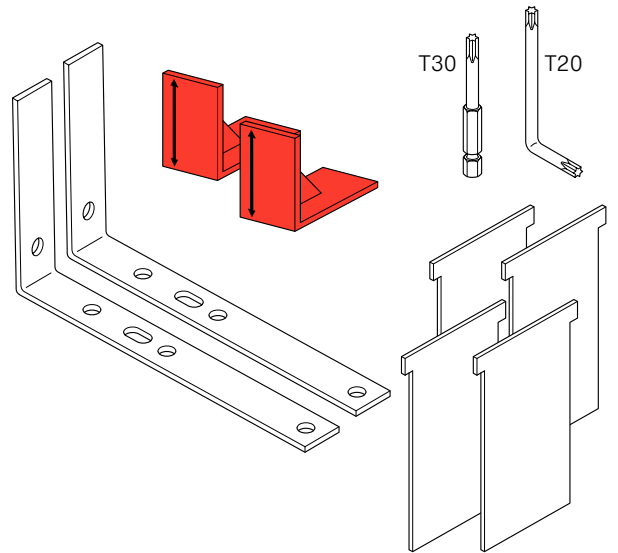








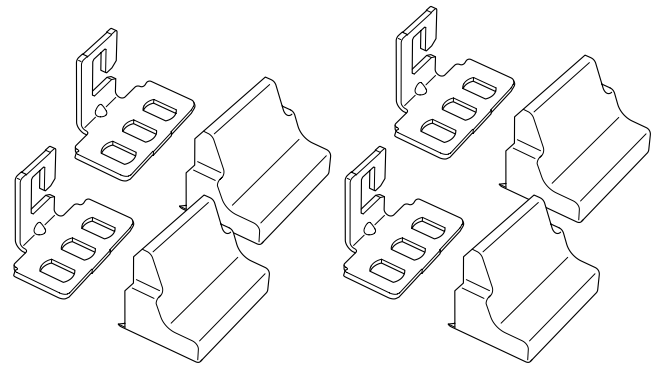
A

4x15			6x
5x60			4x
6x31			4x


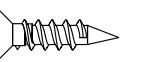




B

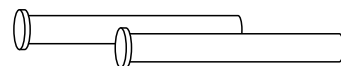
4x15			8x
------	---	---	----

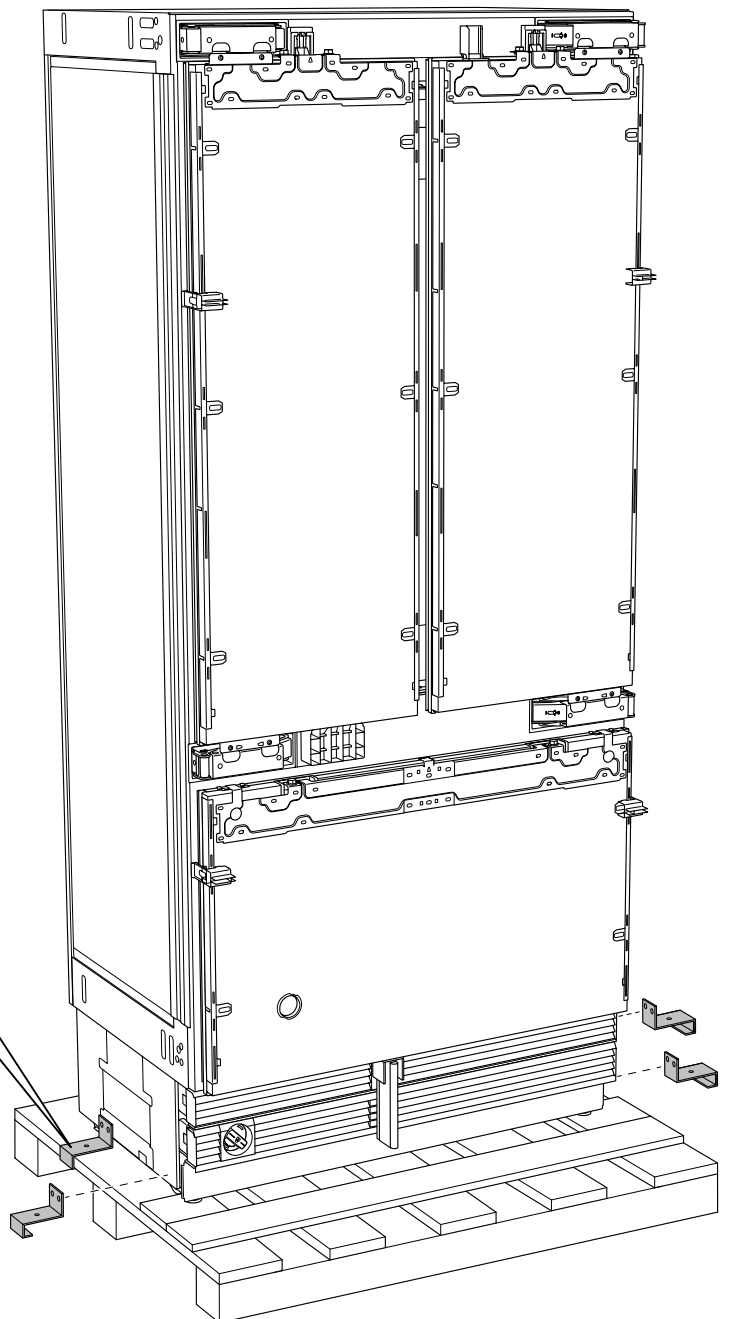
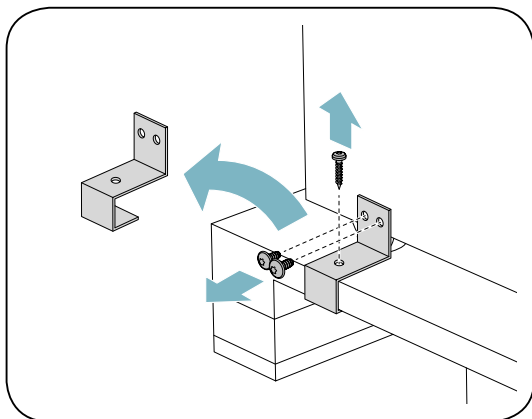
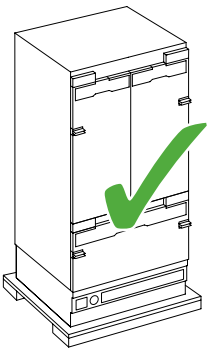
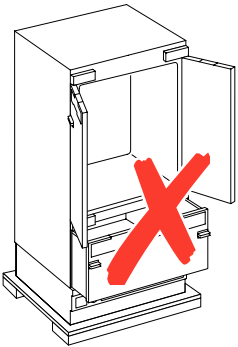
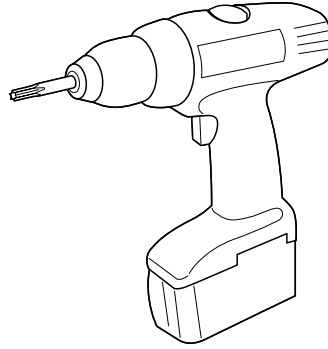
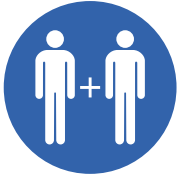


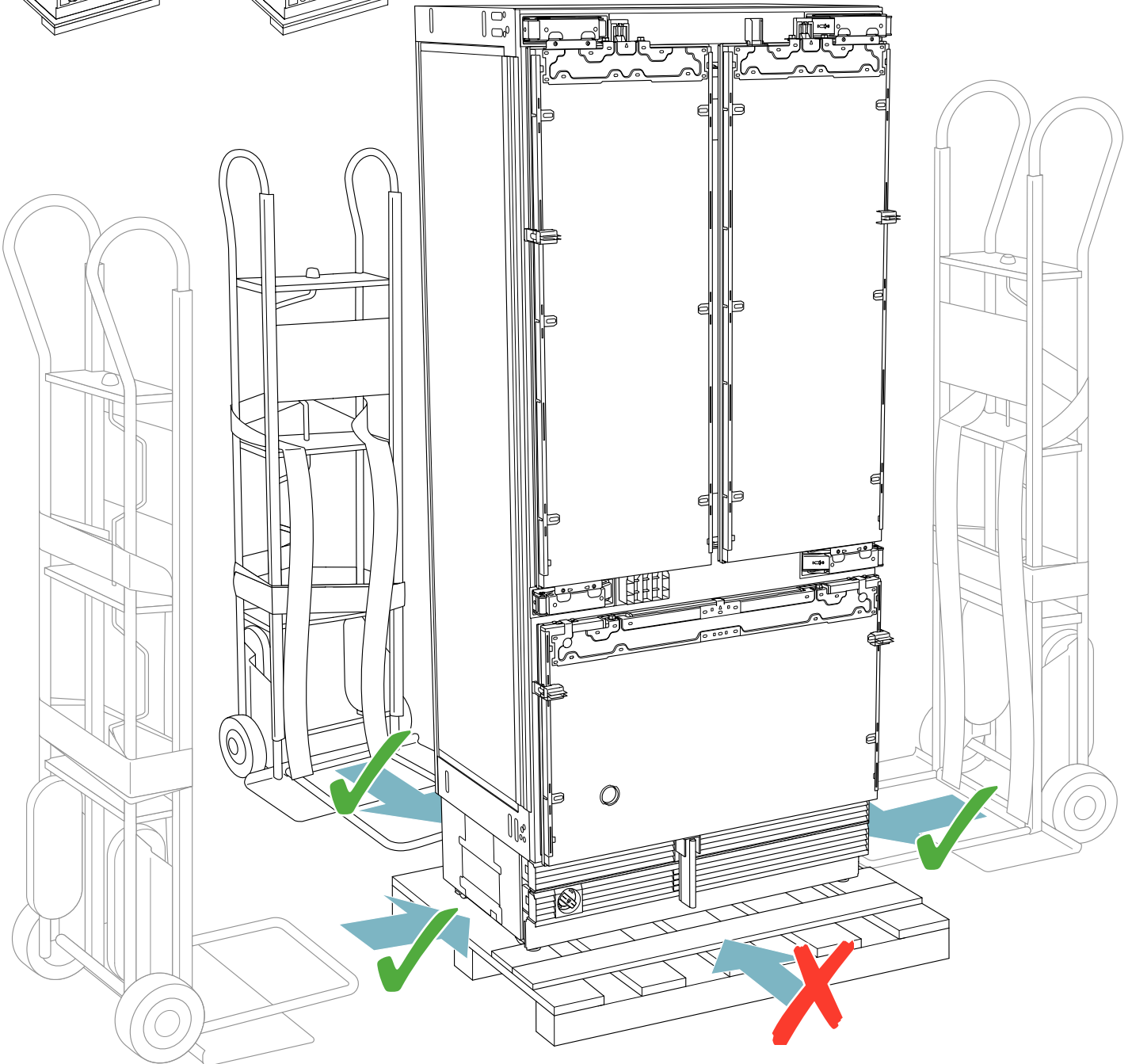
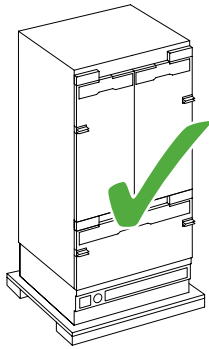
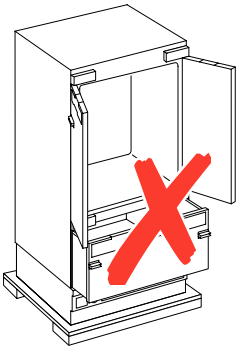
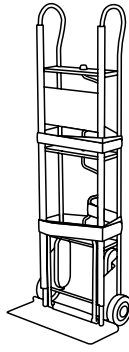
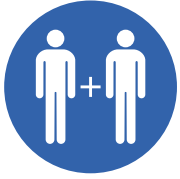
C

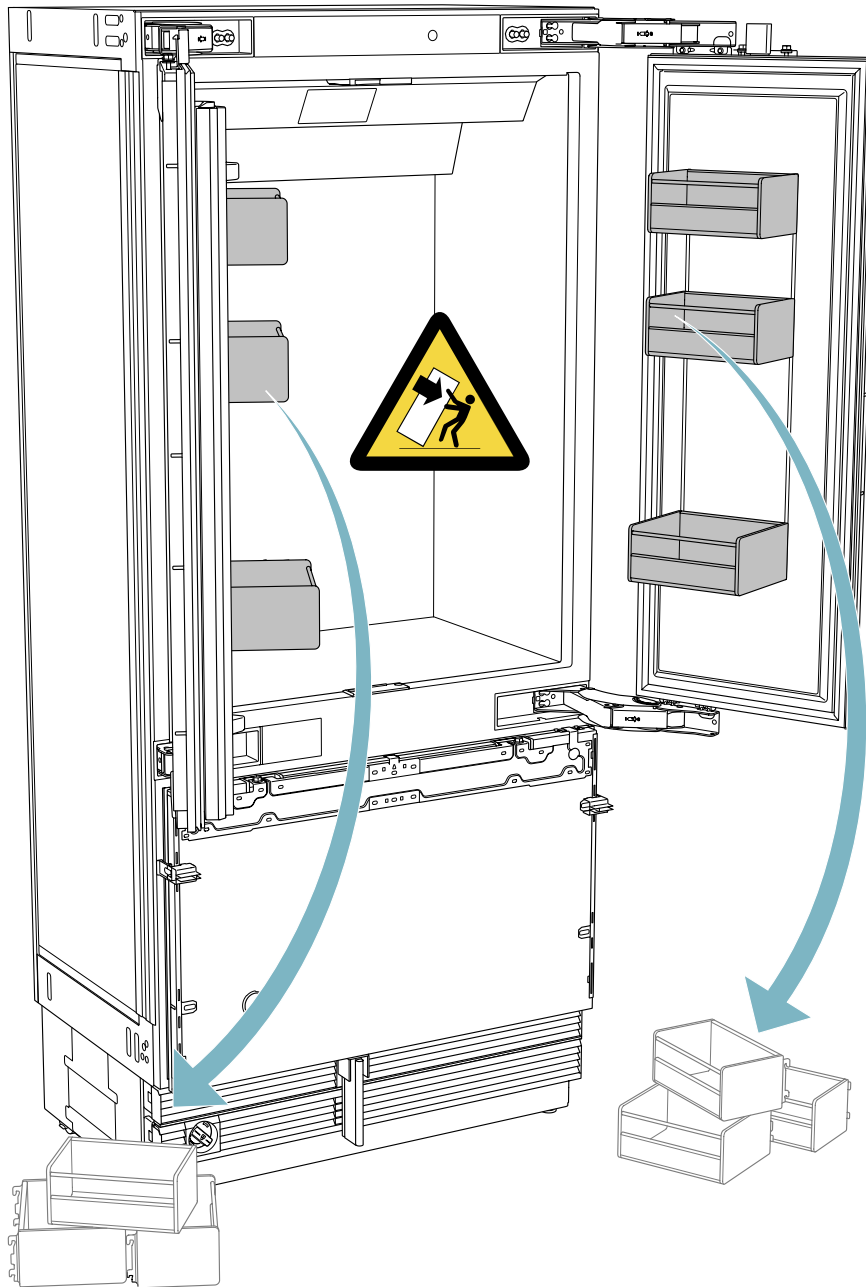
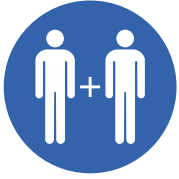
4x15			54x
4x15			8x

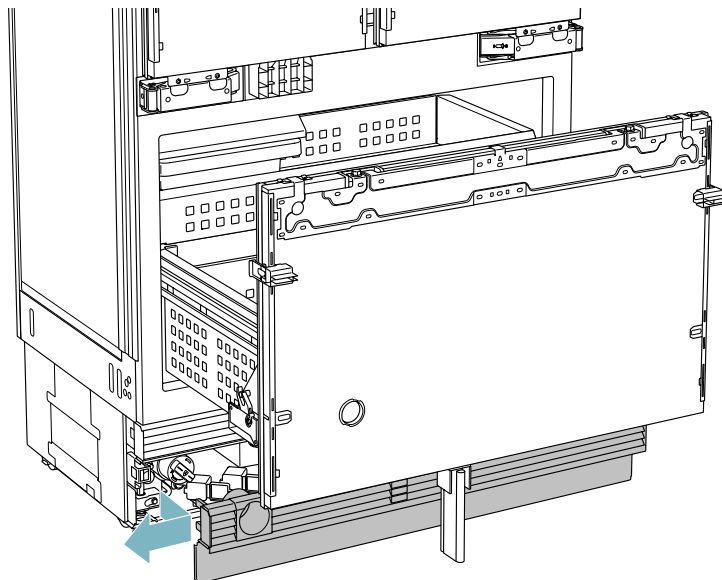
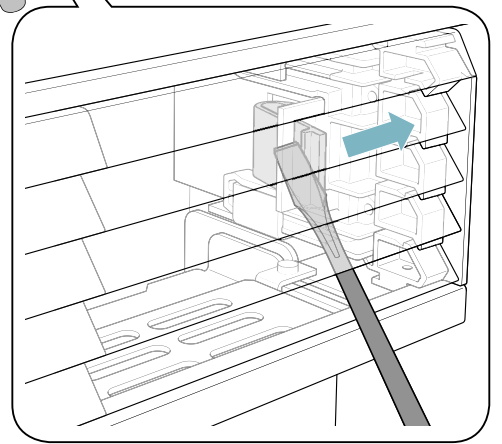
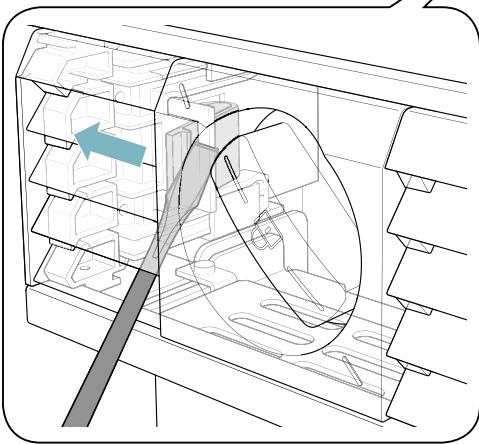
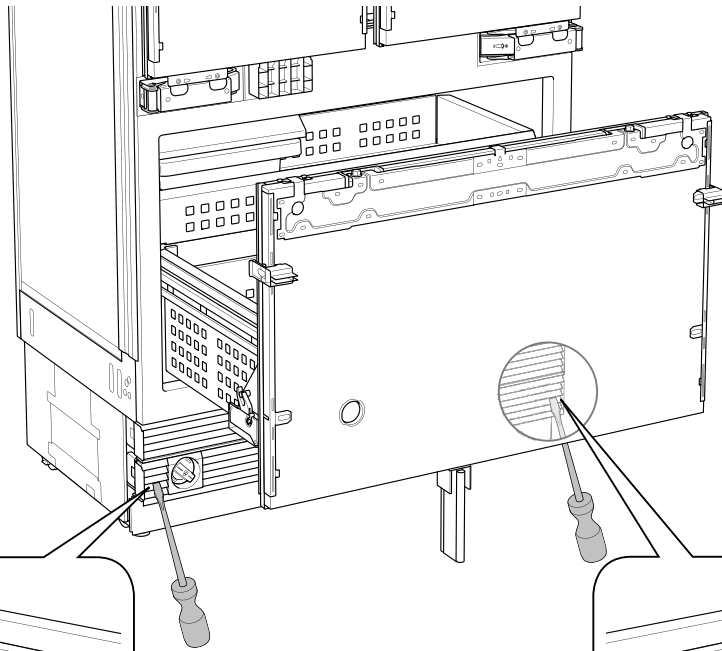
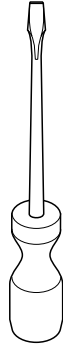
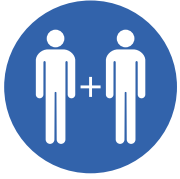
D

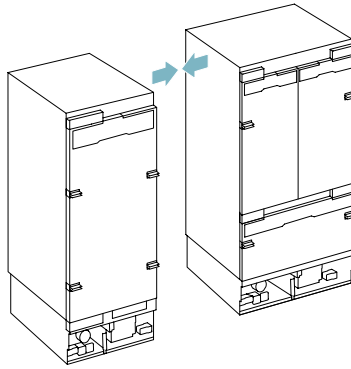
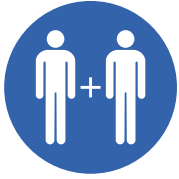




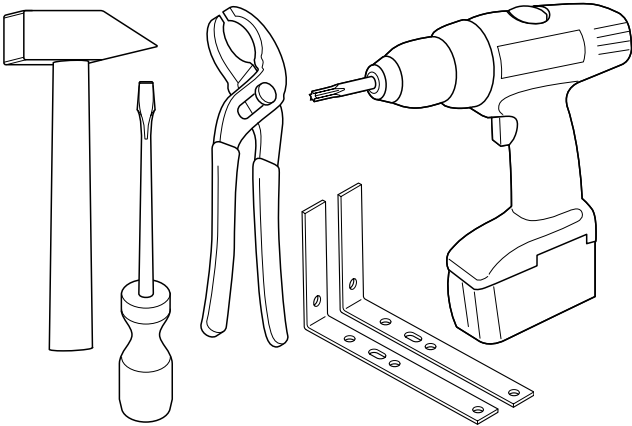




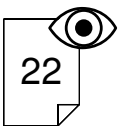
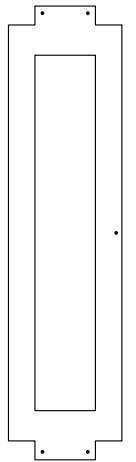
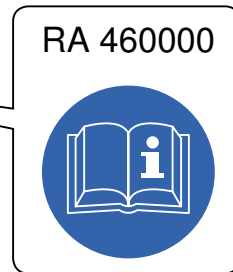
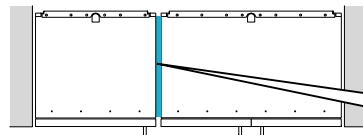
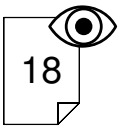
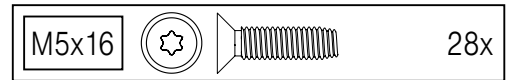
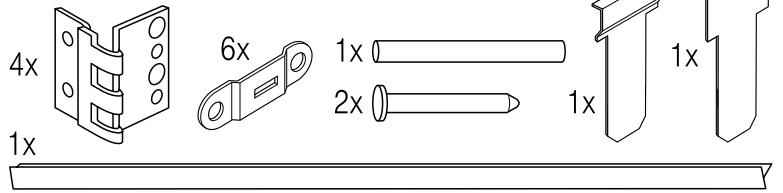




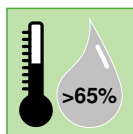
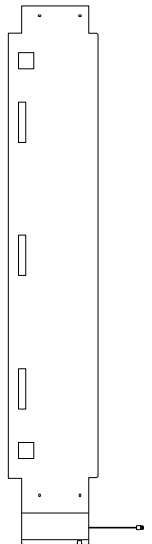
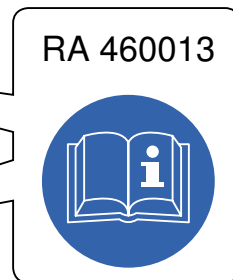
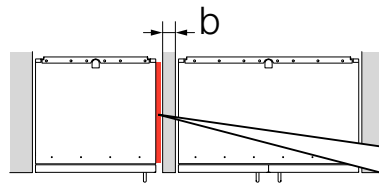
A
B
C
D



RA460000



$\frac{5}{8}'' \leq b < 6\frac{1}{4}''$
(16 mm \leq b < 160 mm)

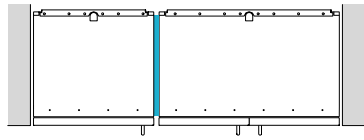


A

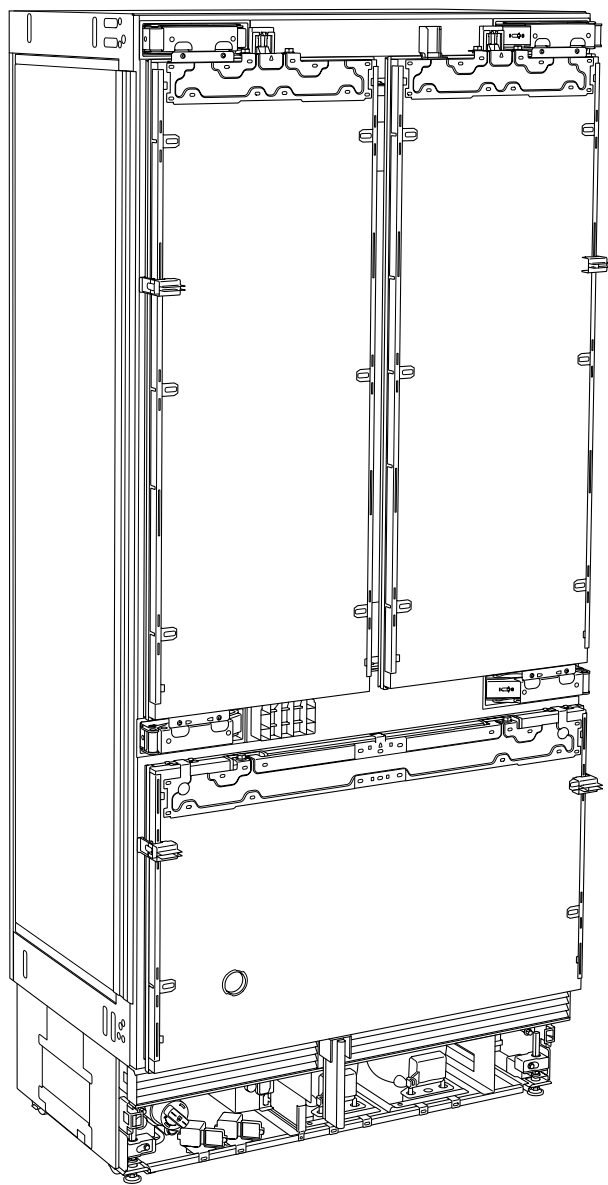
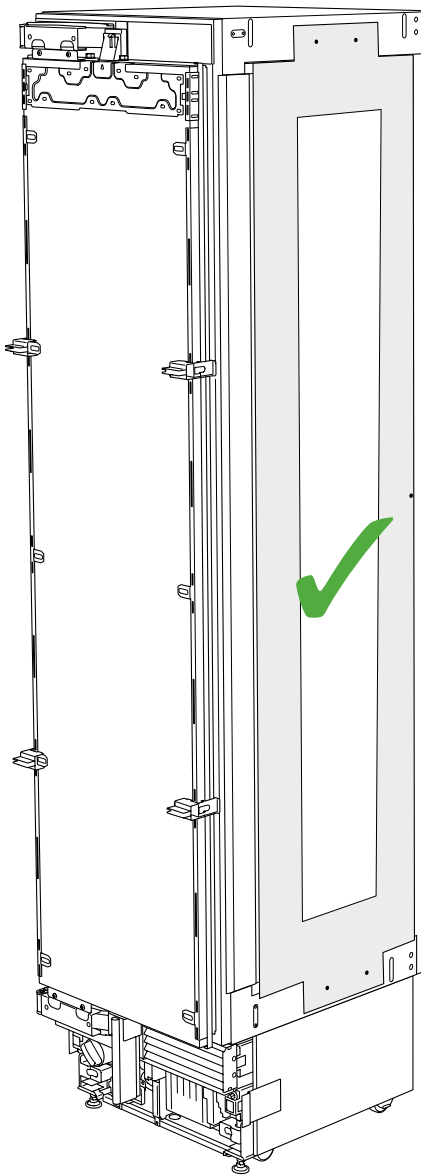
B



C

D

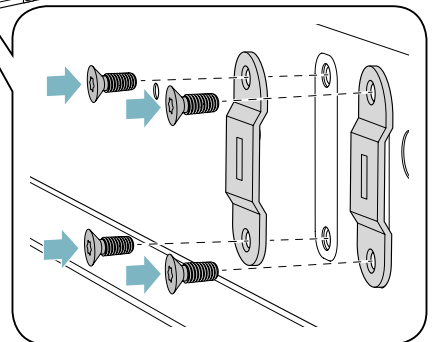
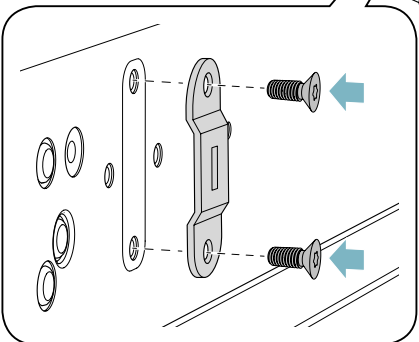
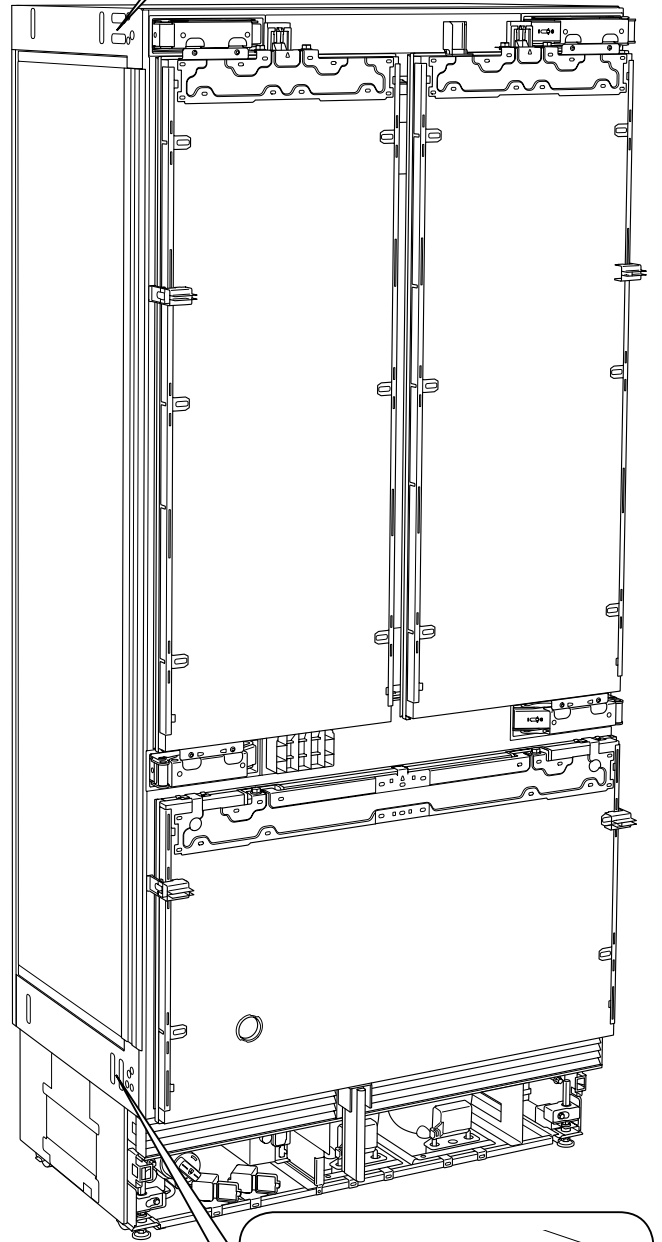
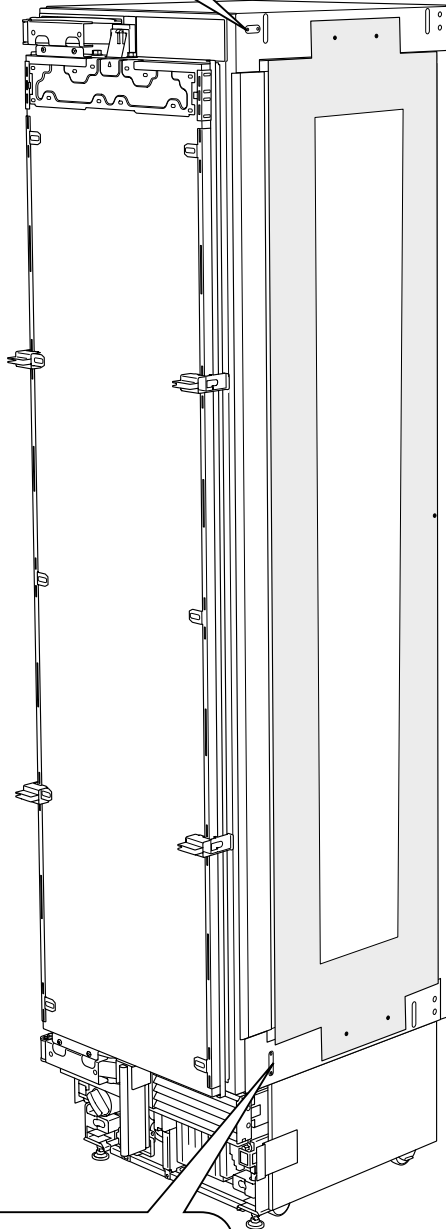
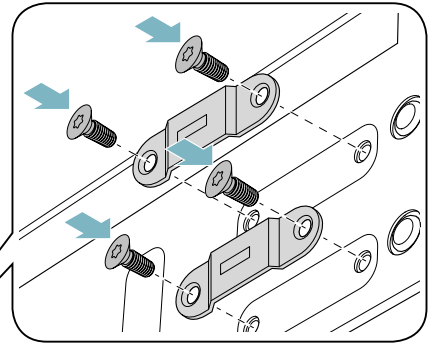
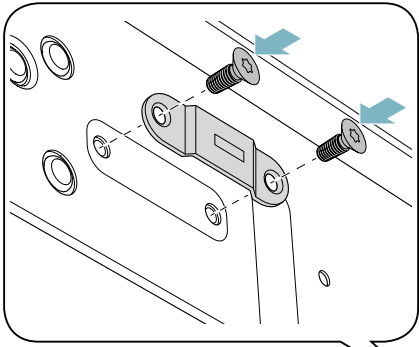


RA 46000



M5x16   12x

A
B
C
D





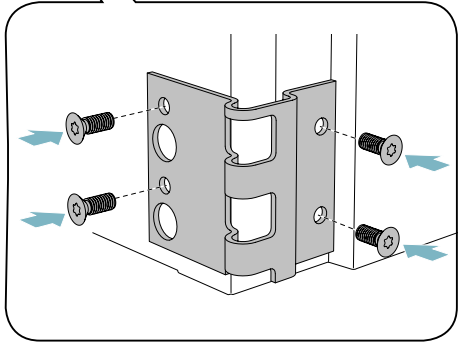
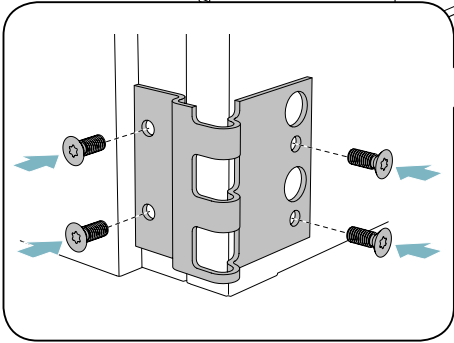
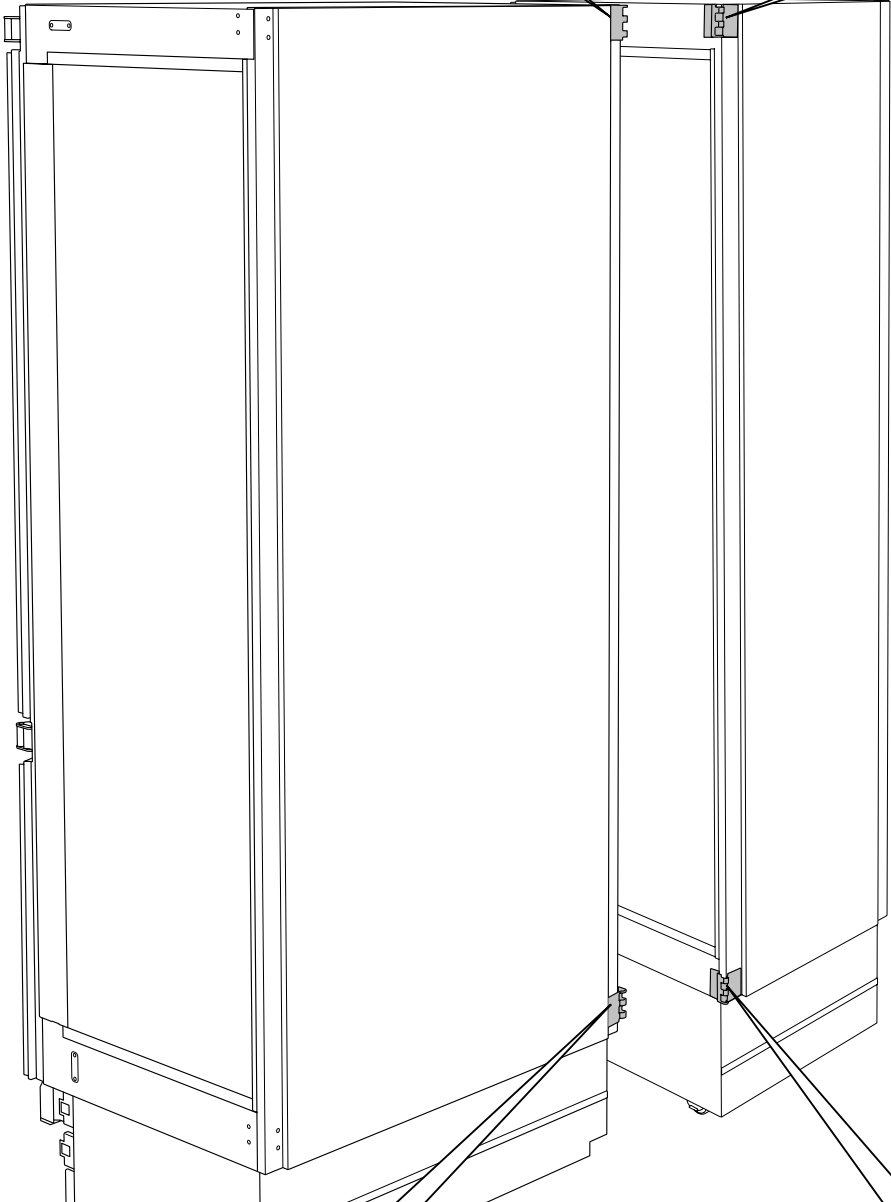
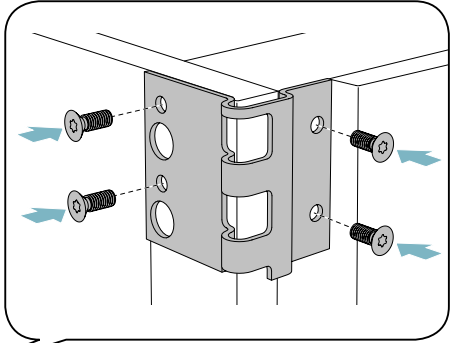
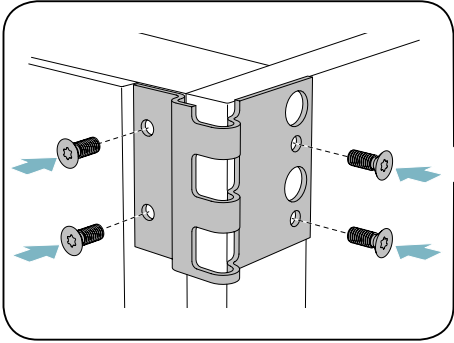
A

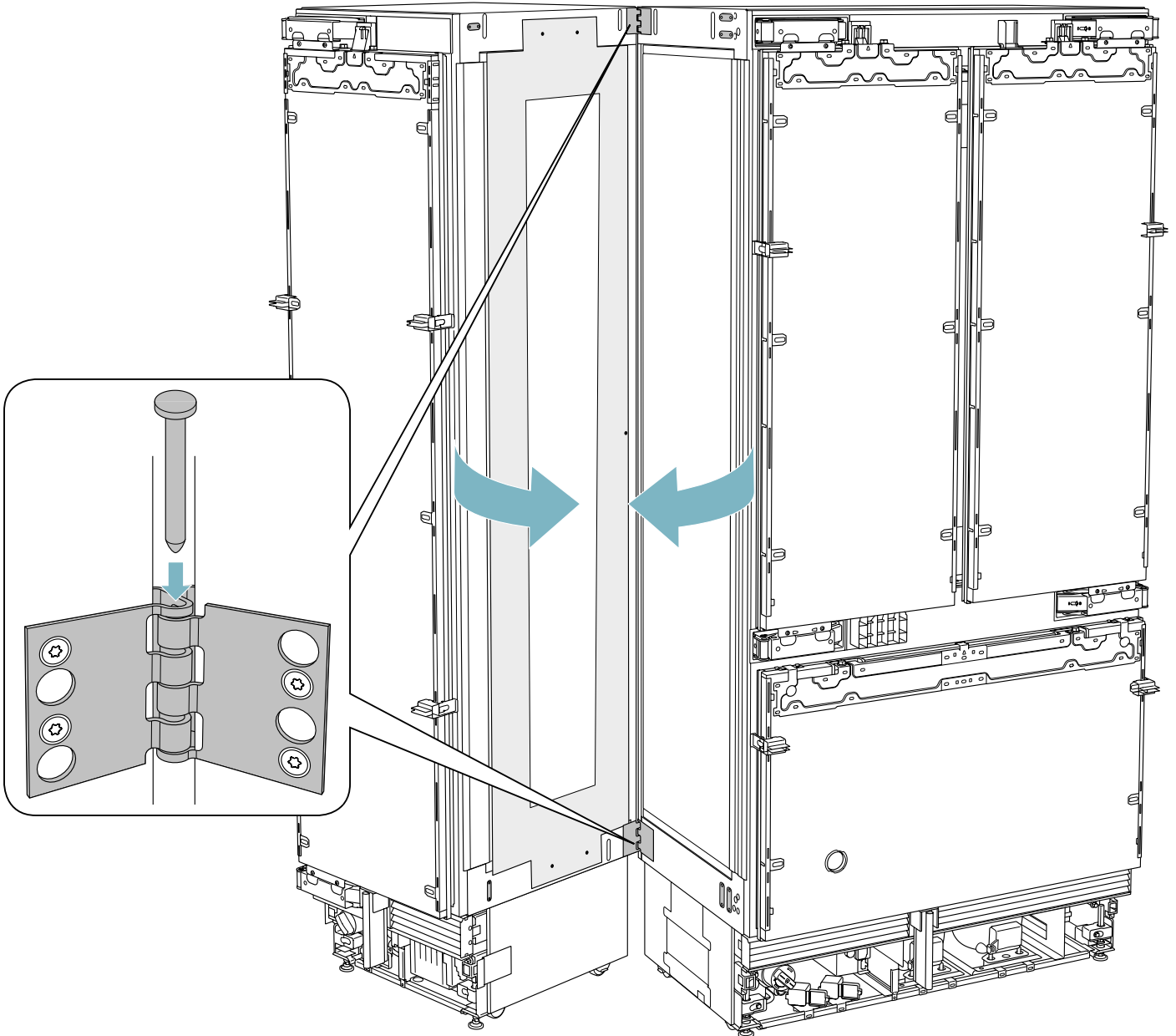
B

C

D

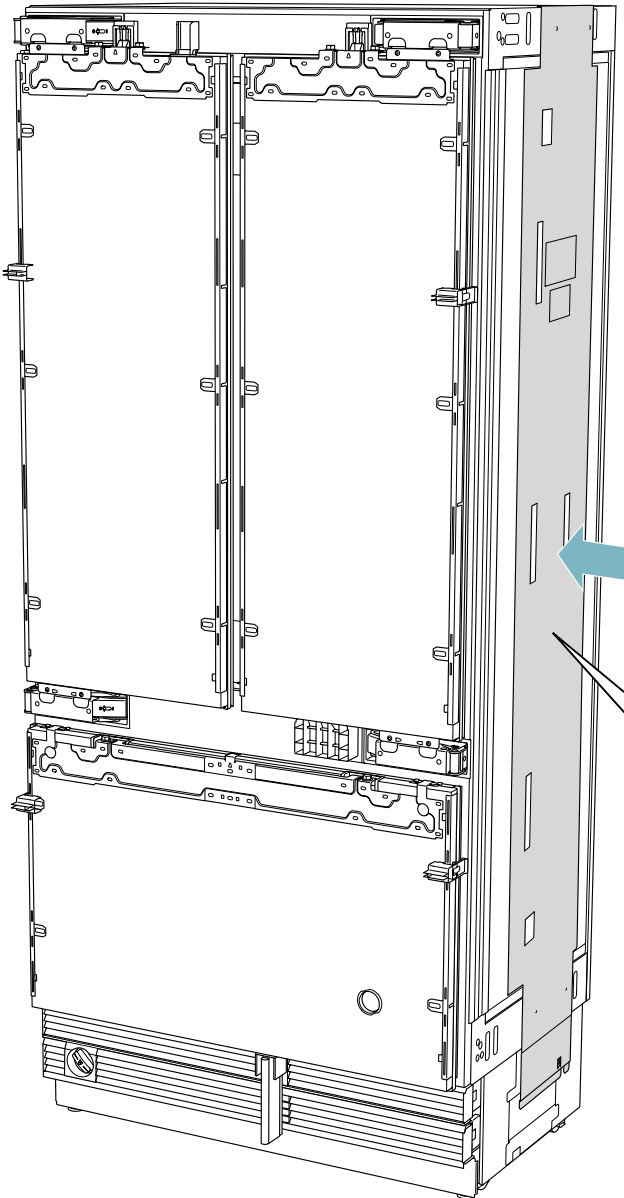
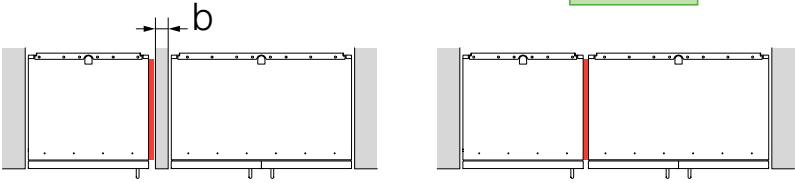
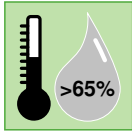
M5x16   16x



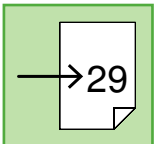
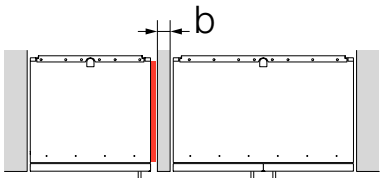




A
B
C
D

$\frac{5}{8}'' \leq b < 6\frac{1}{4}''$
(16 mm $\leq b < 160$ mm)

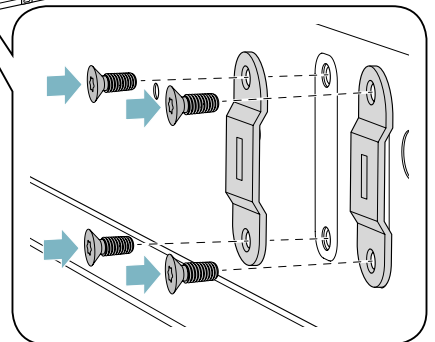
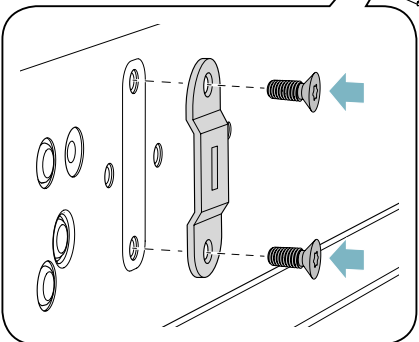
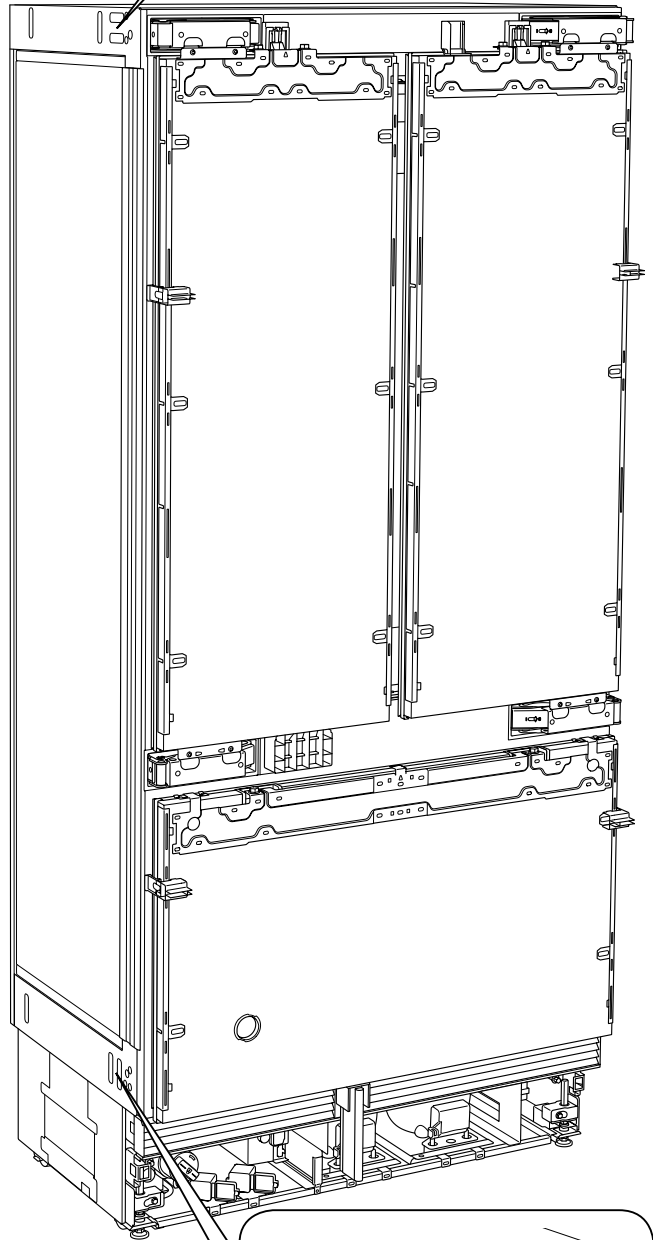
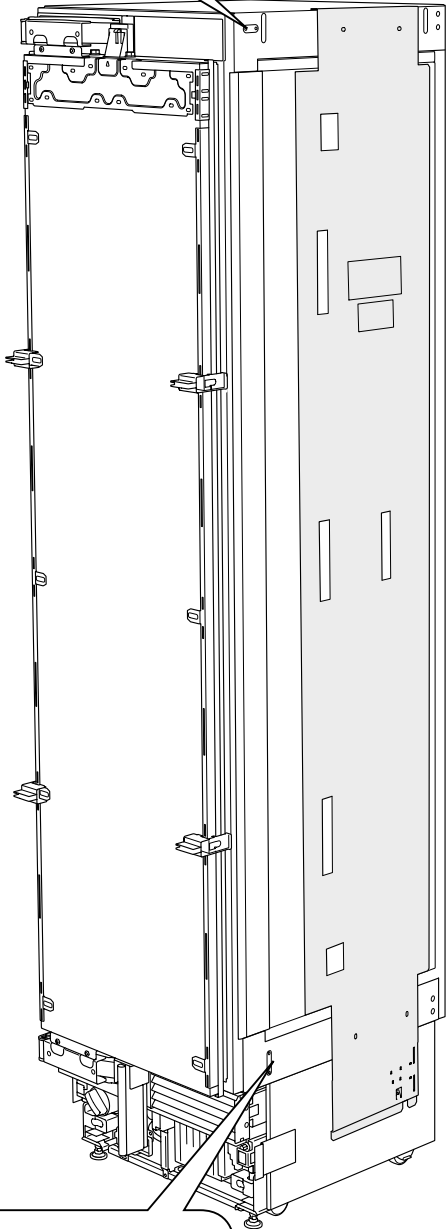
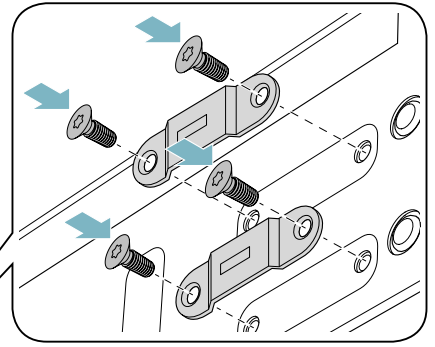
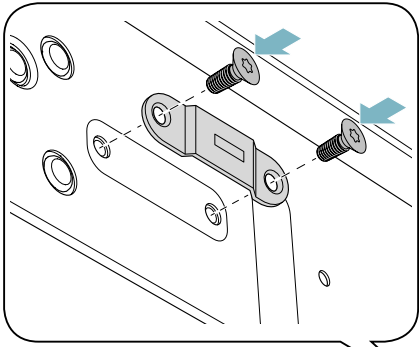


RA 460013



M5x16   12x

A
B
C
D



A

B

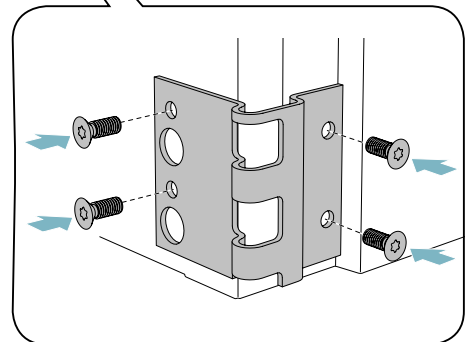
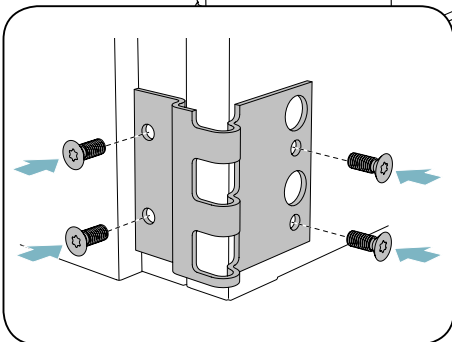
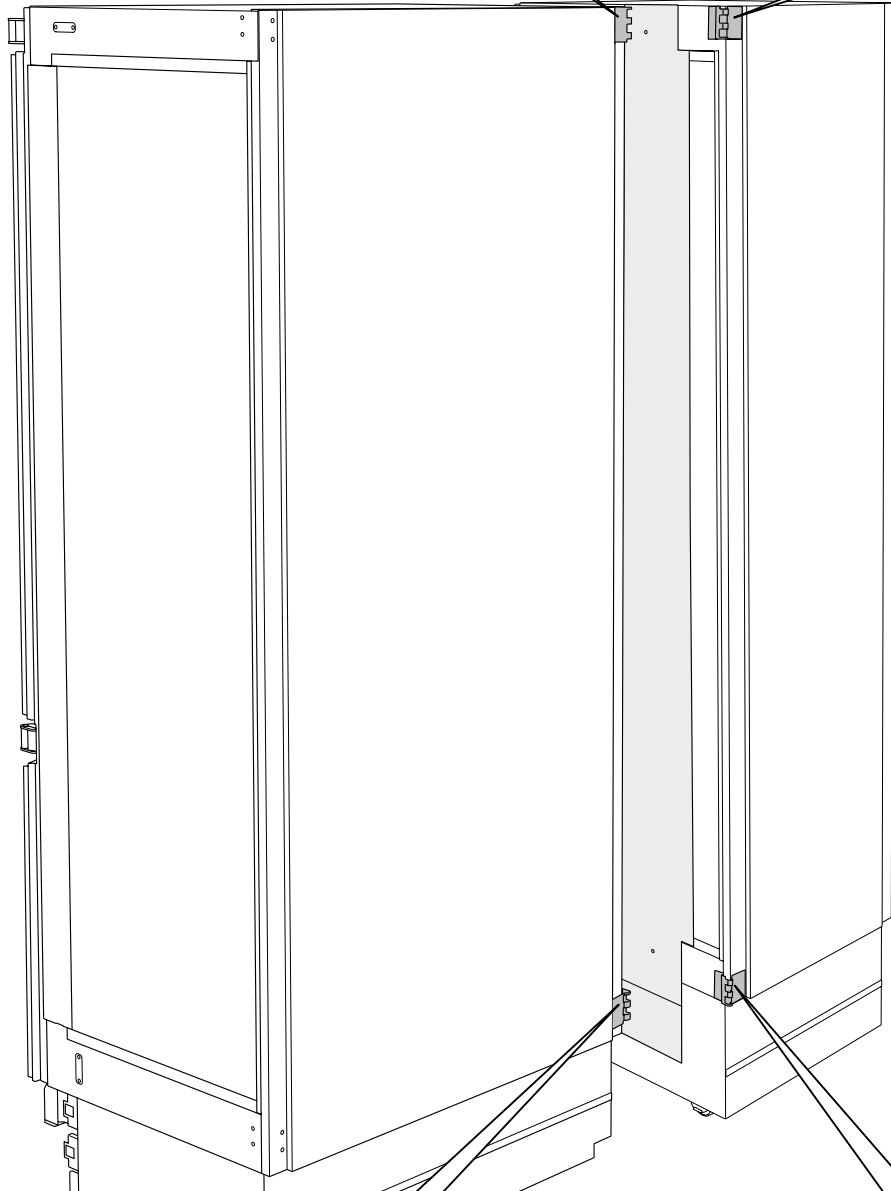
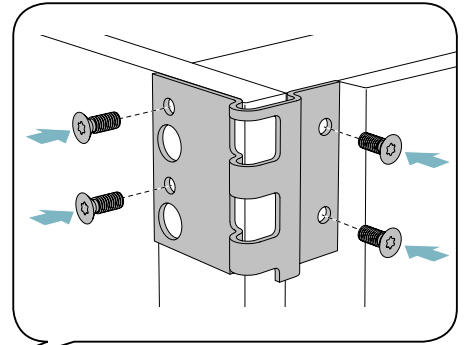
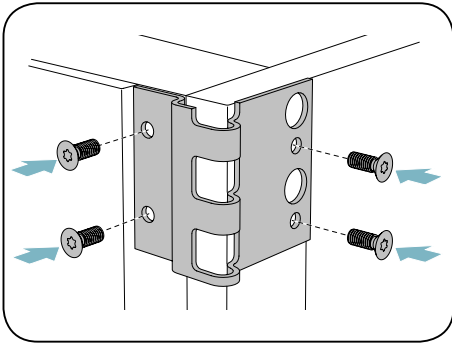
C

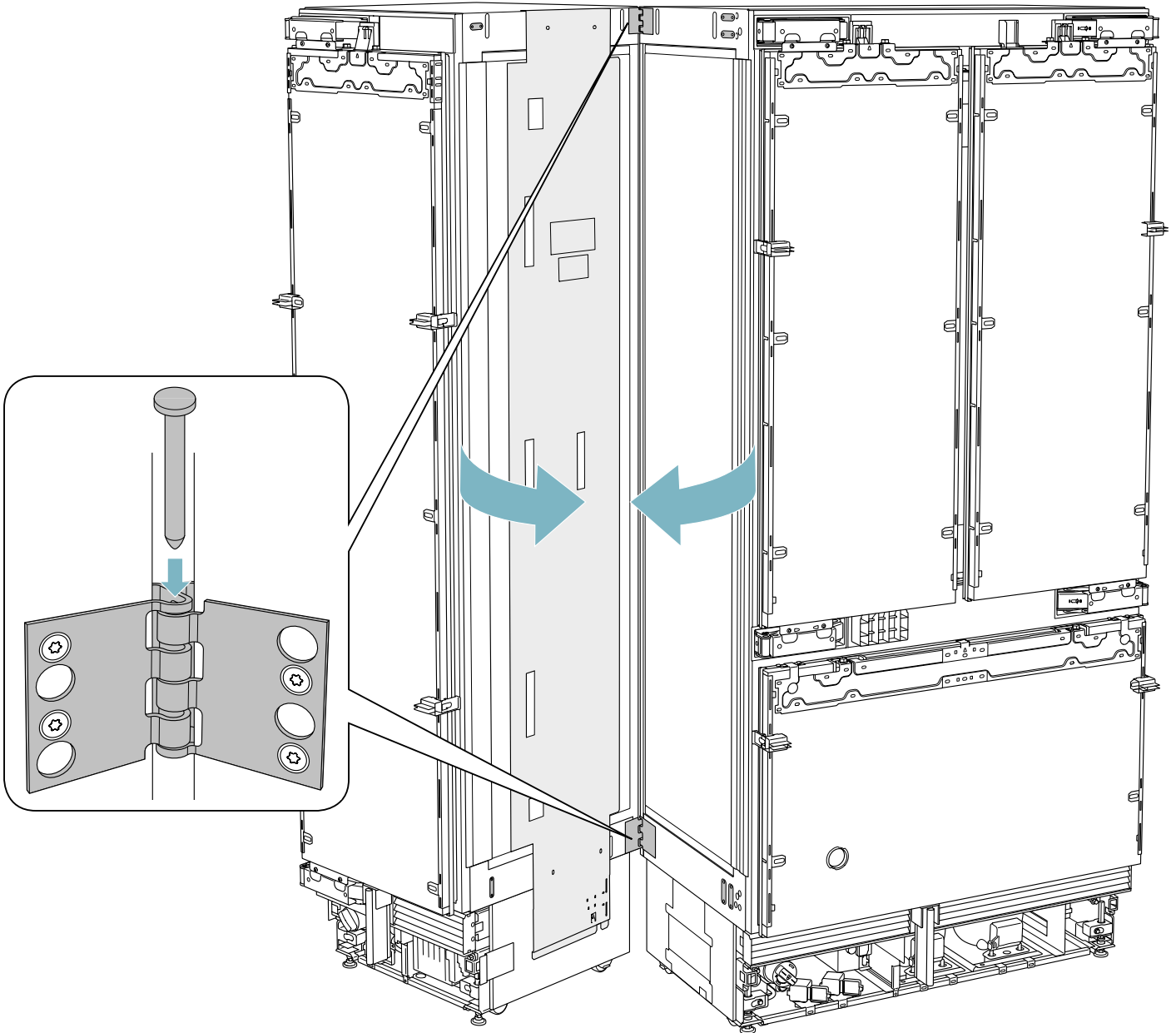
D

M5x16

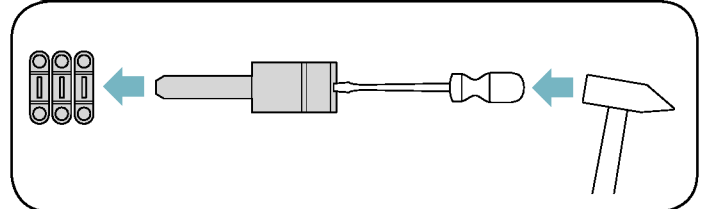
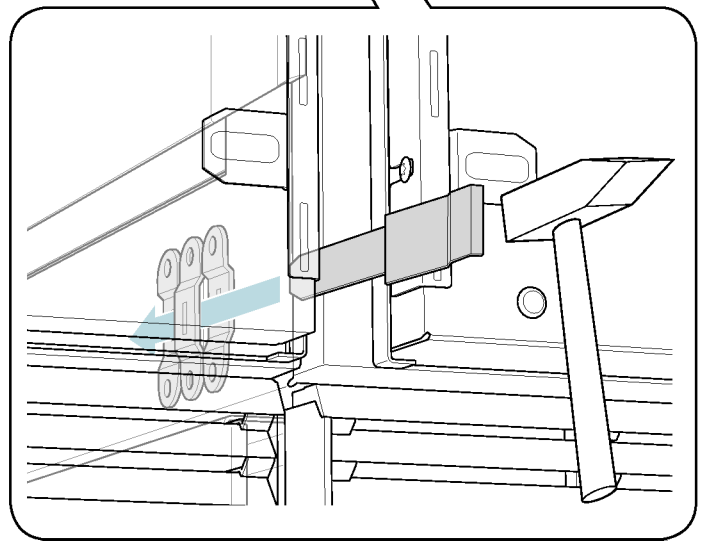
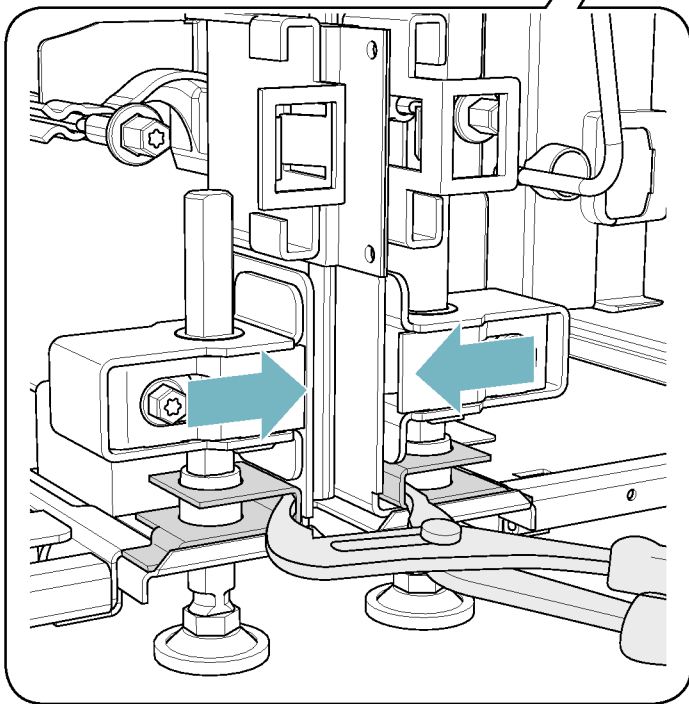
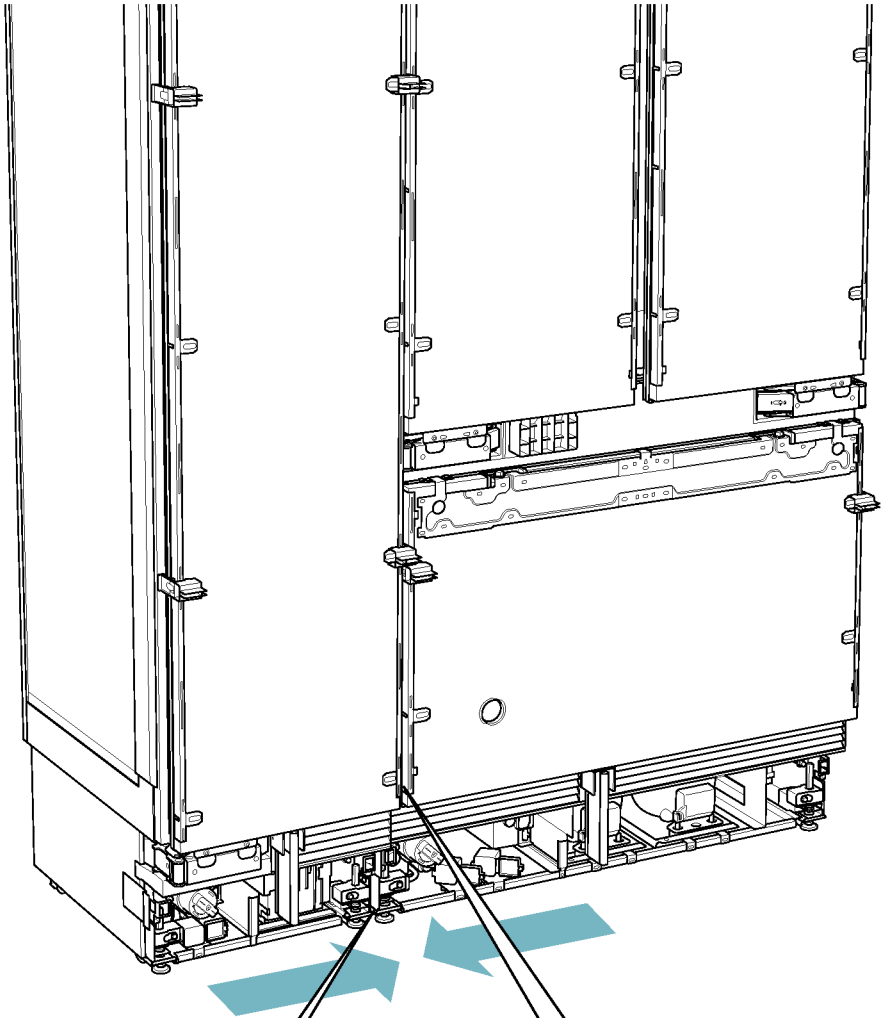
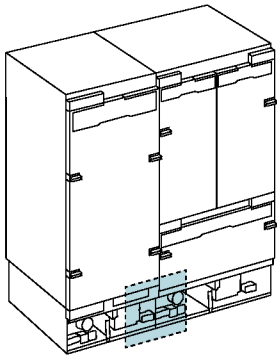


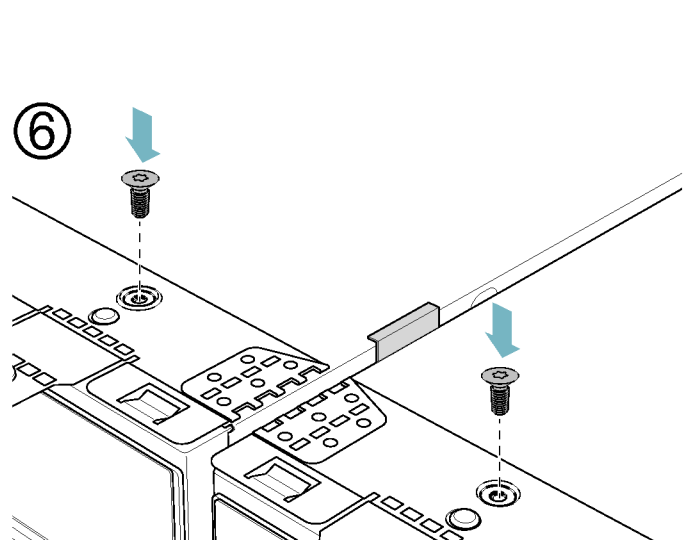
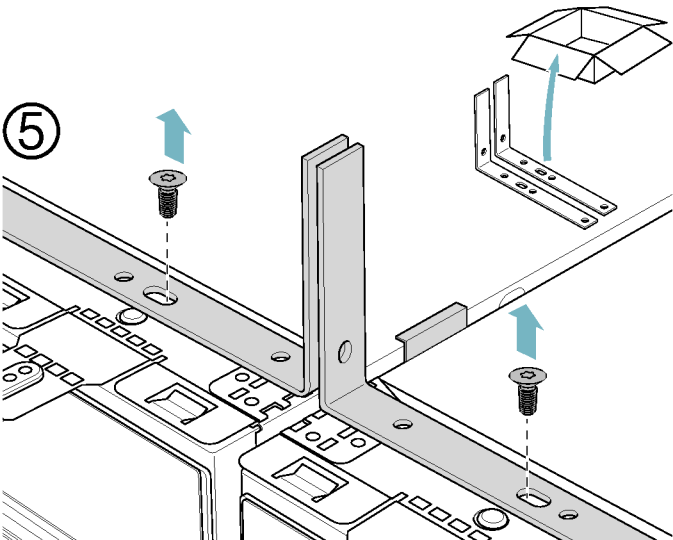
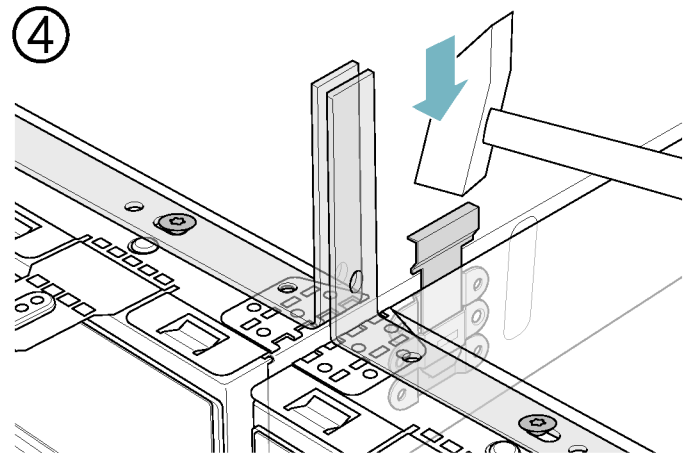
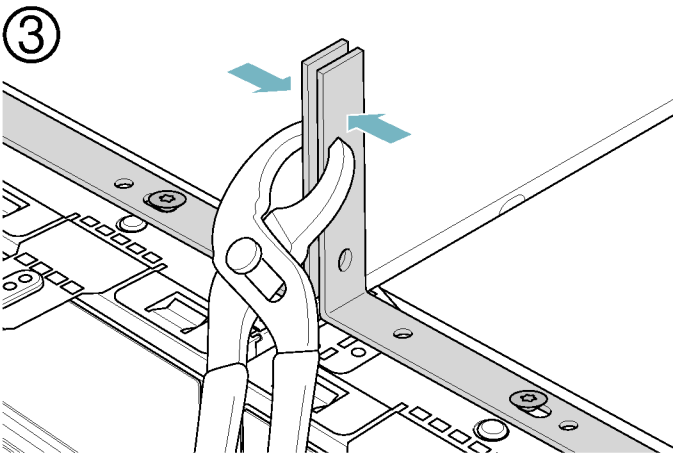
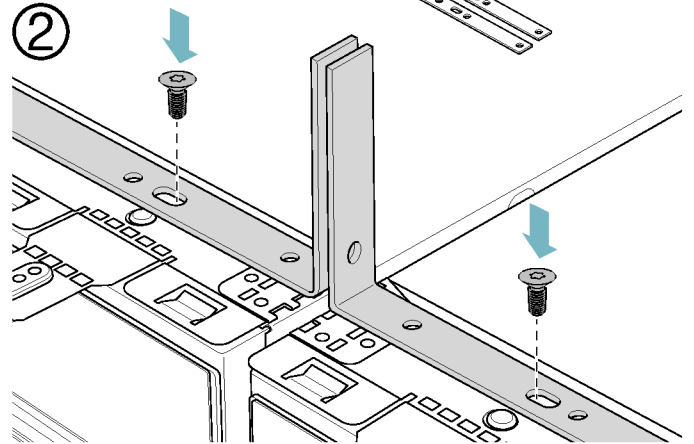
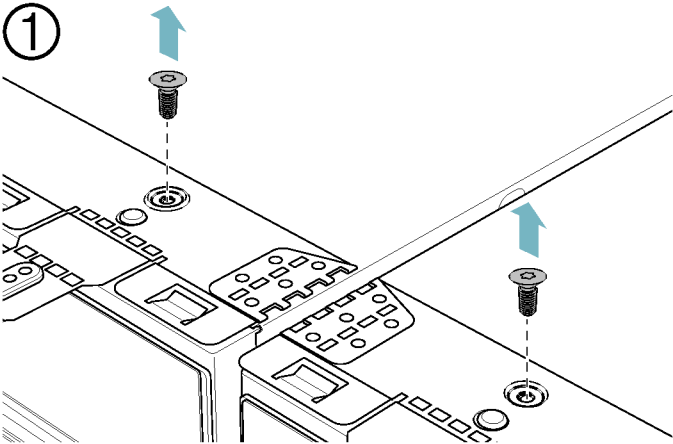
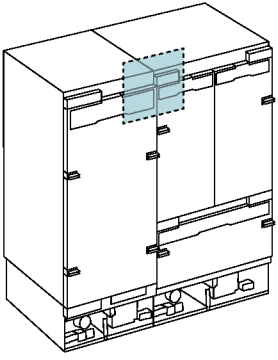
16x

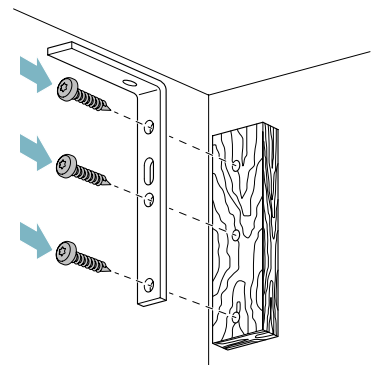
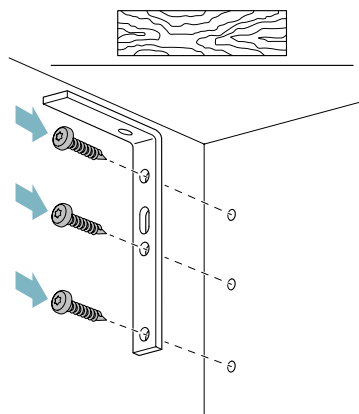
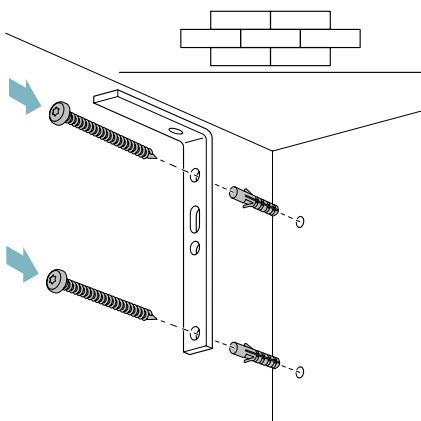
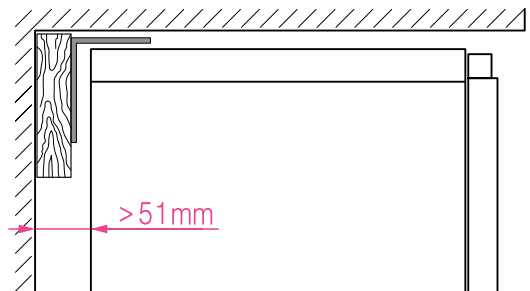
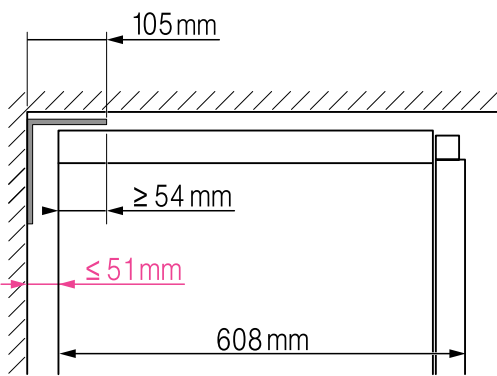
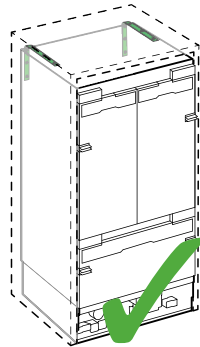
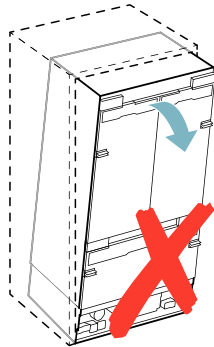
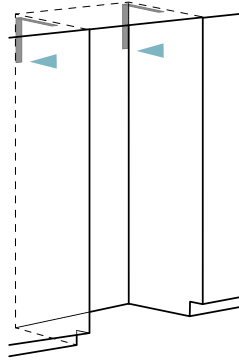




A
B
C
D

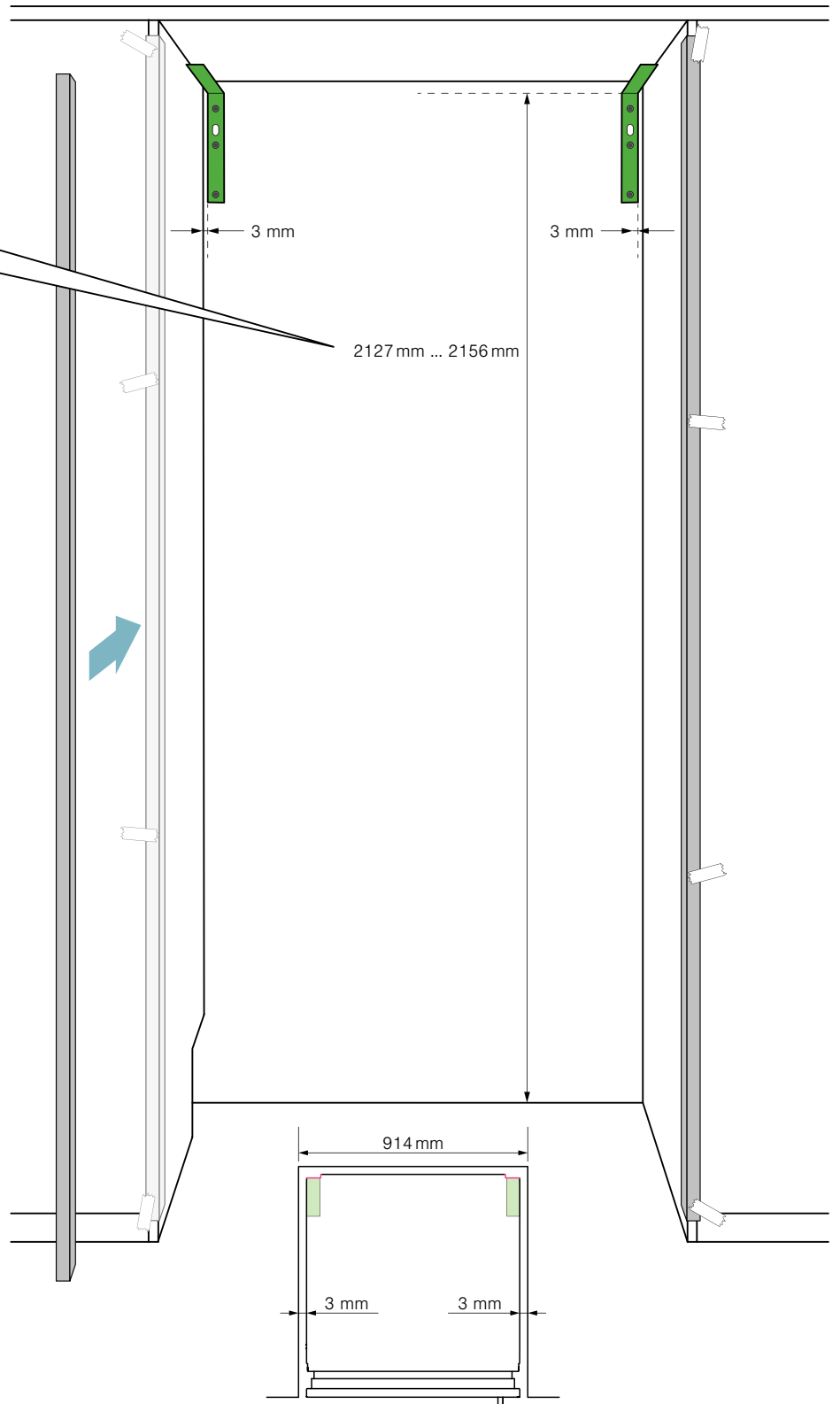
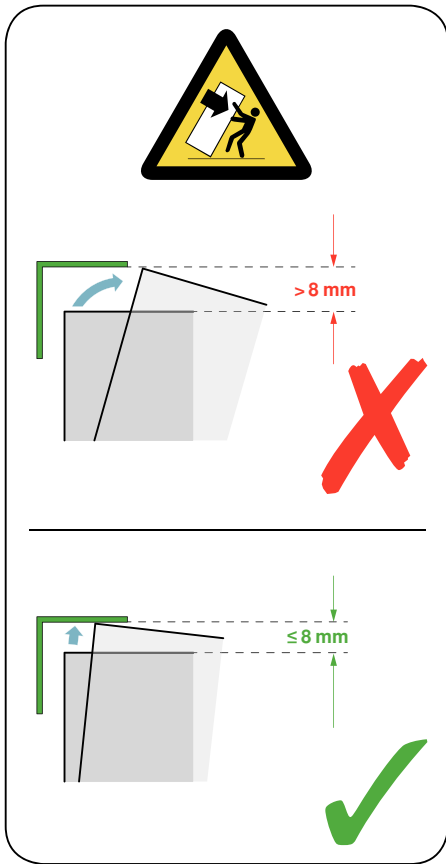
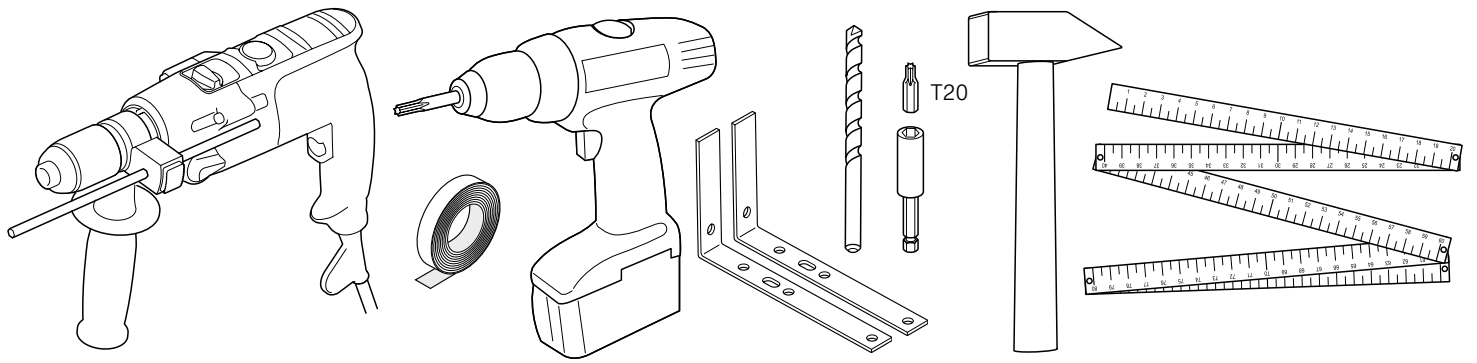


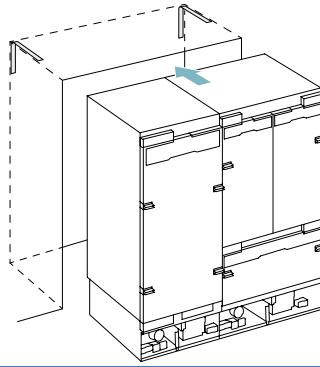
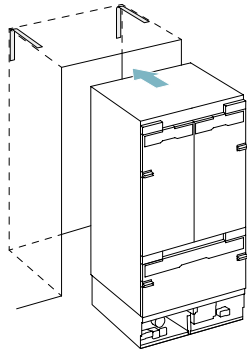
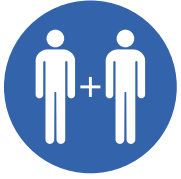




5x60			4x
6x31			4x
		ø6	
		>61mm	

4x15			6x
------	--	--	----



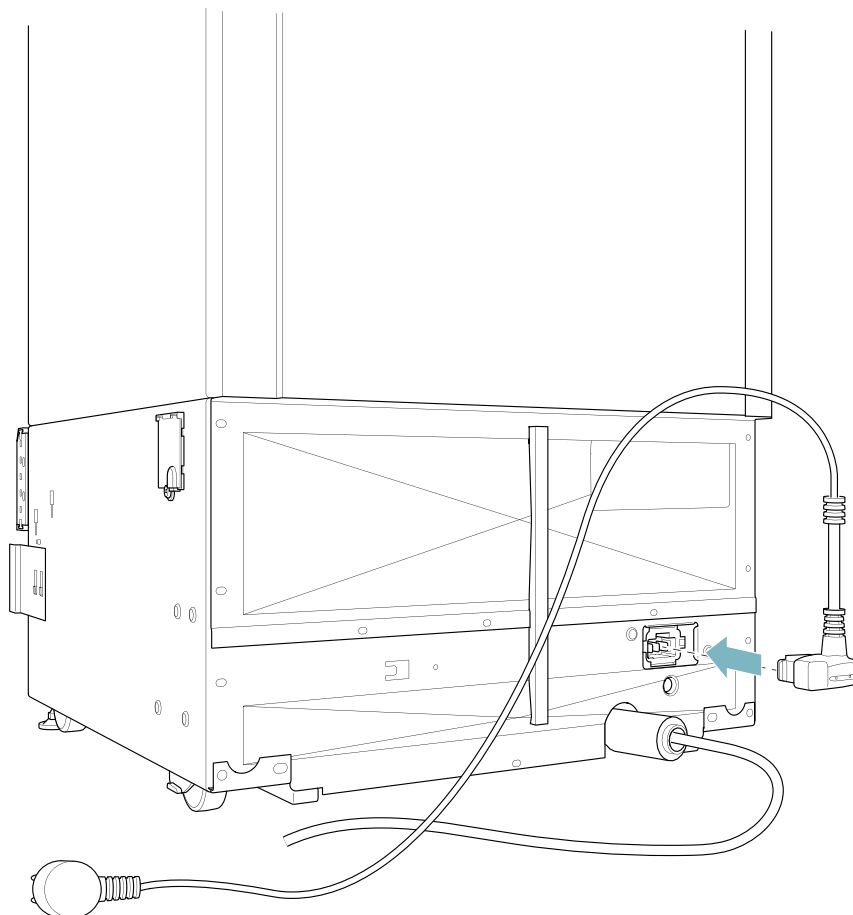
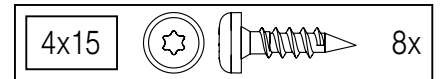
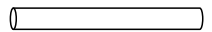
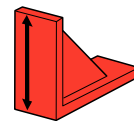
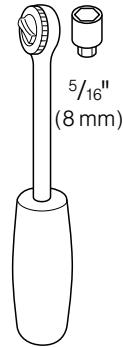
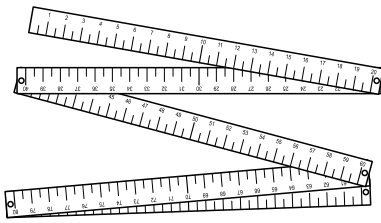
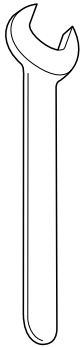
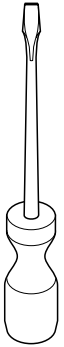
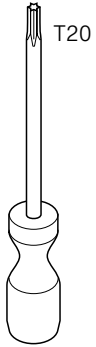


A

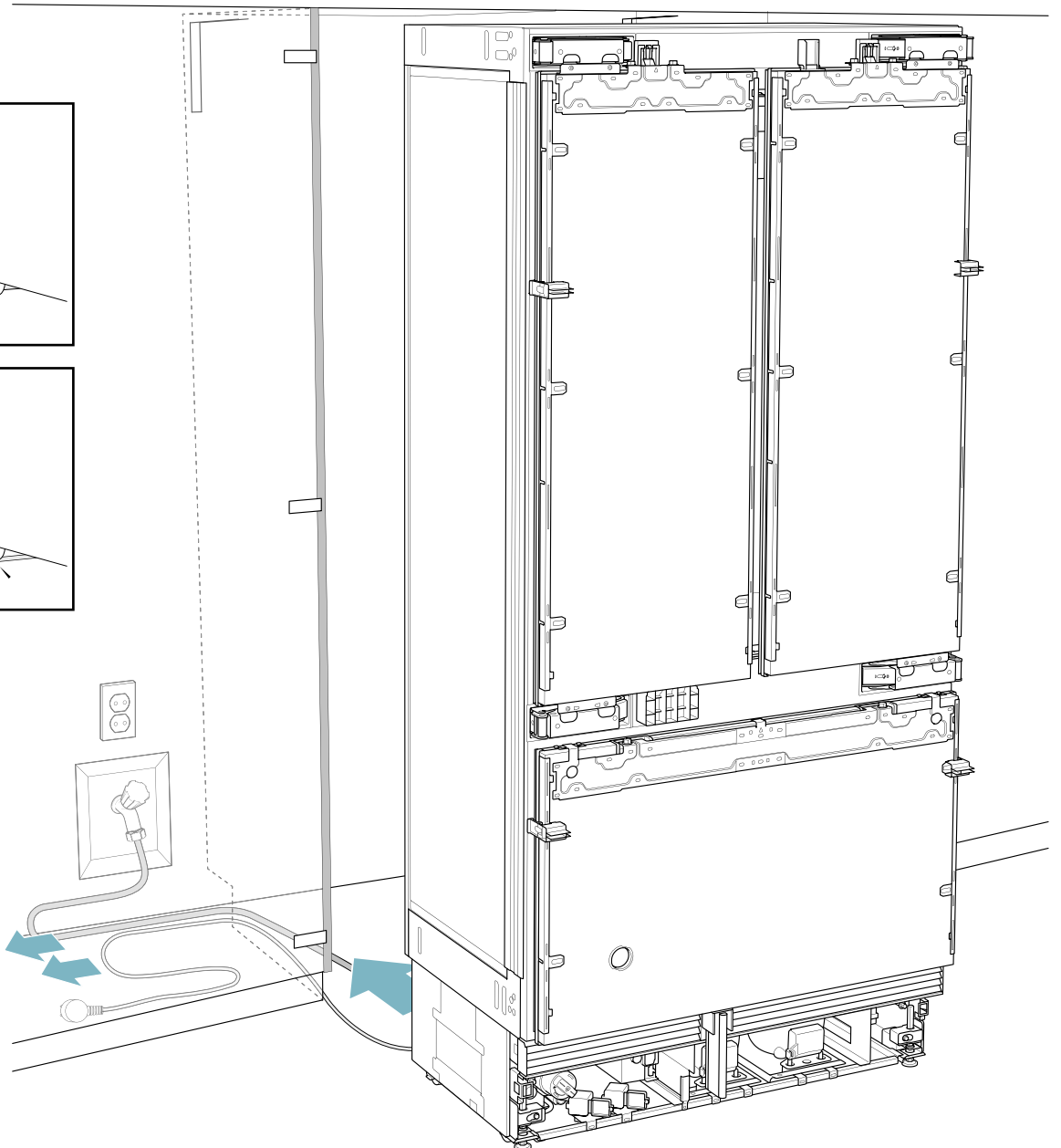
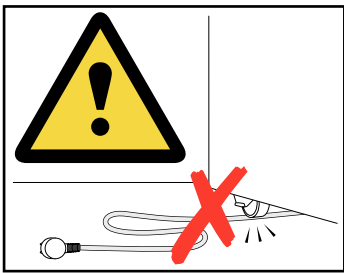
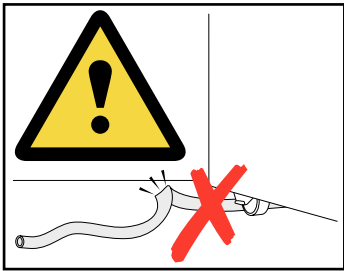
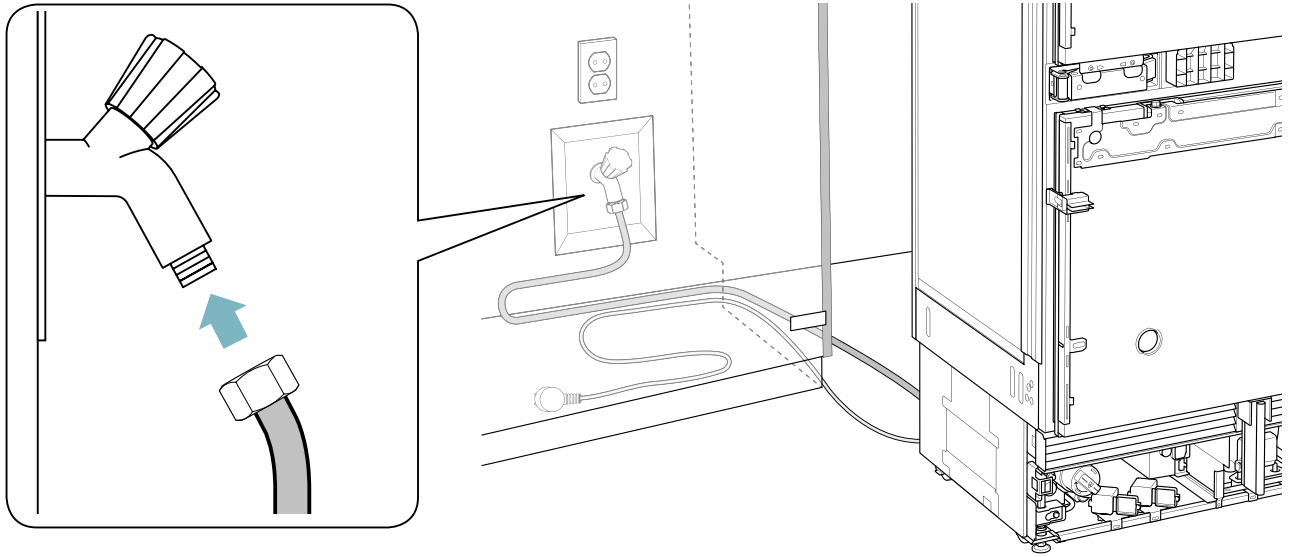
B

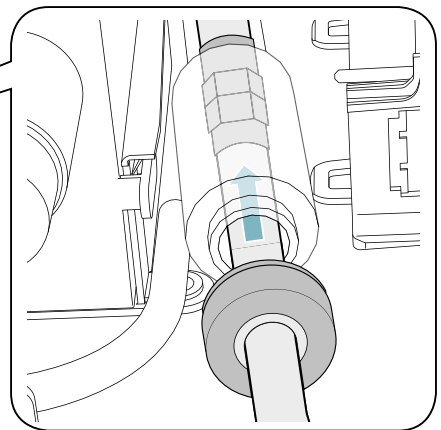
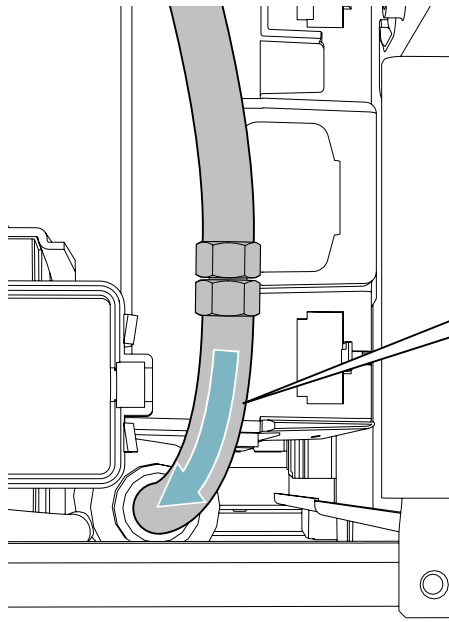
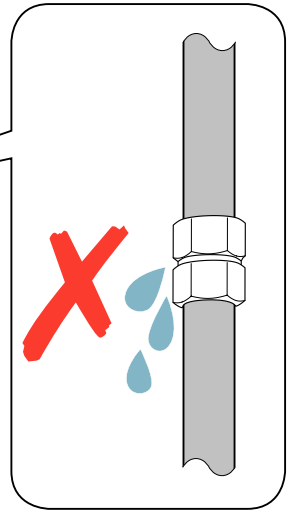
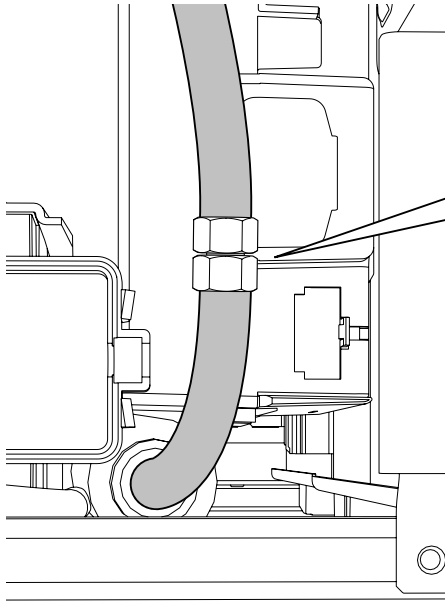
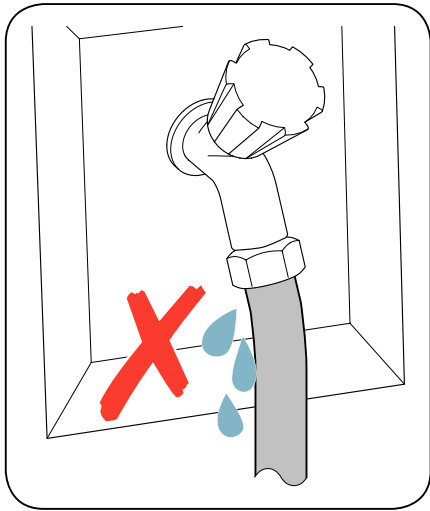
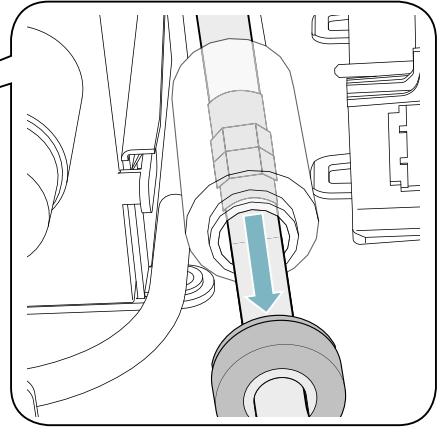
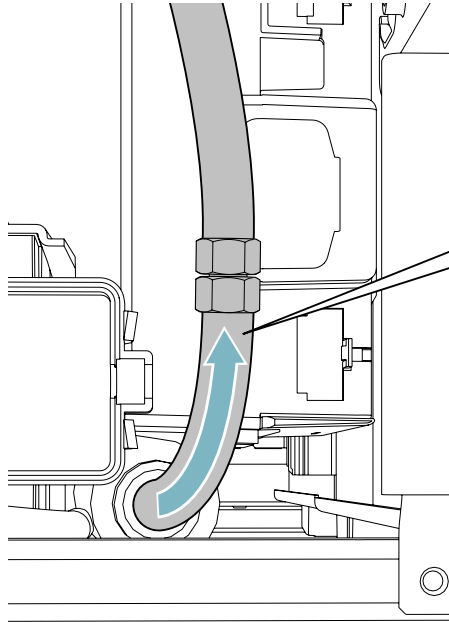
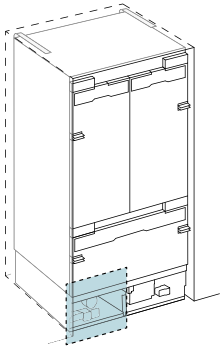
C

D

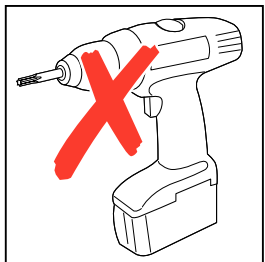
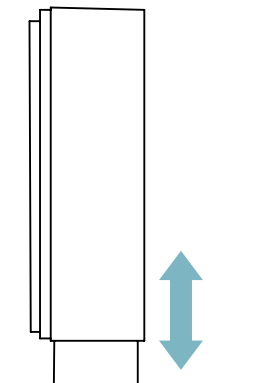
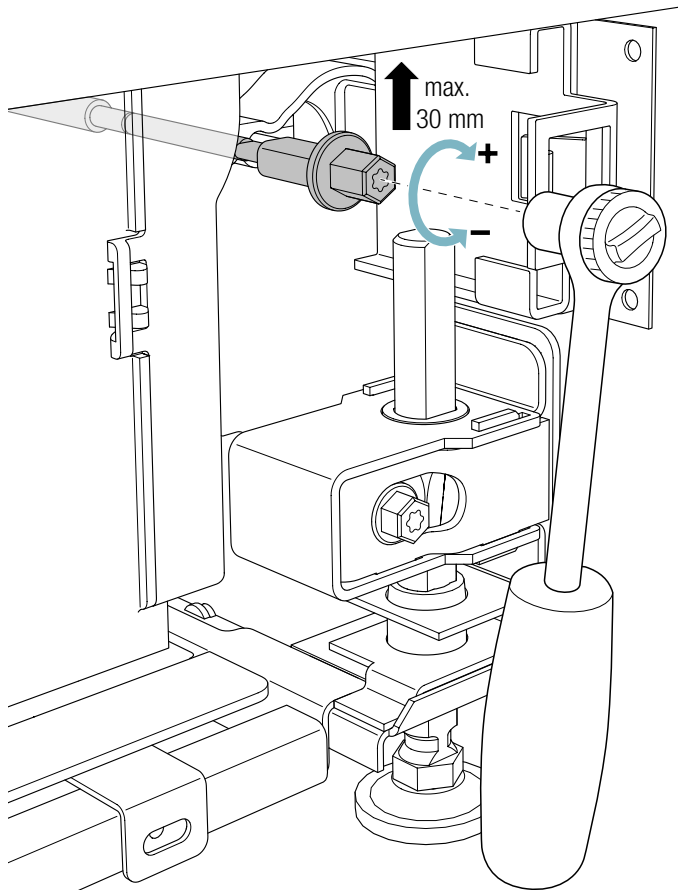
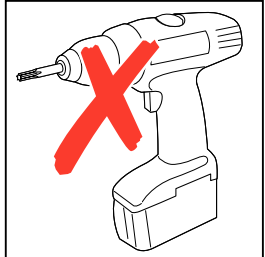
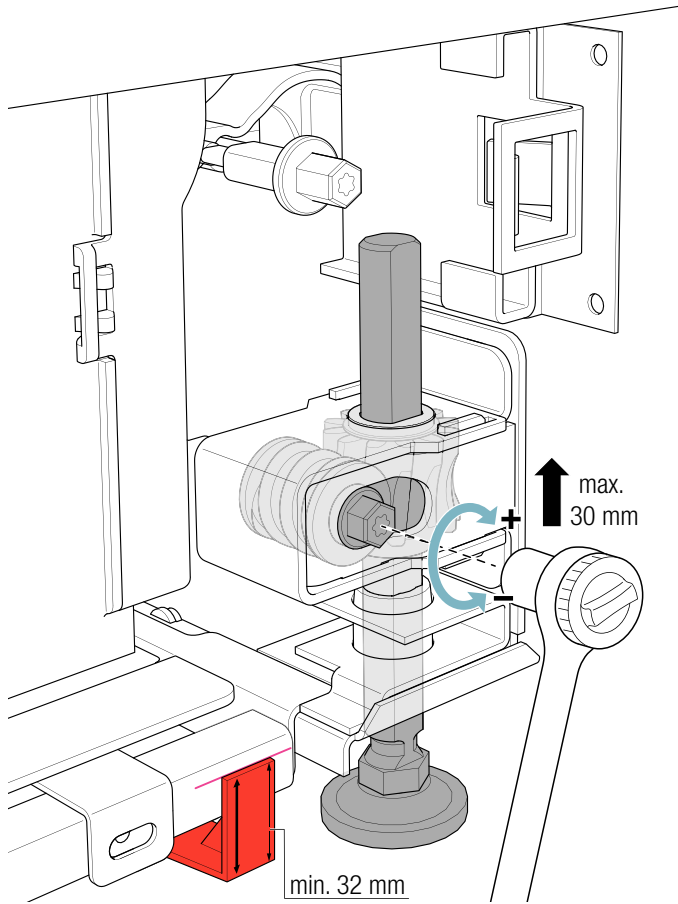
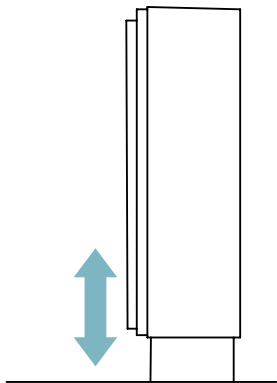
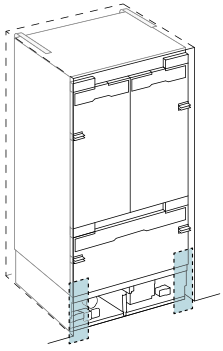


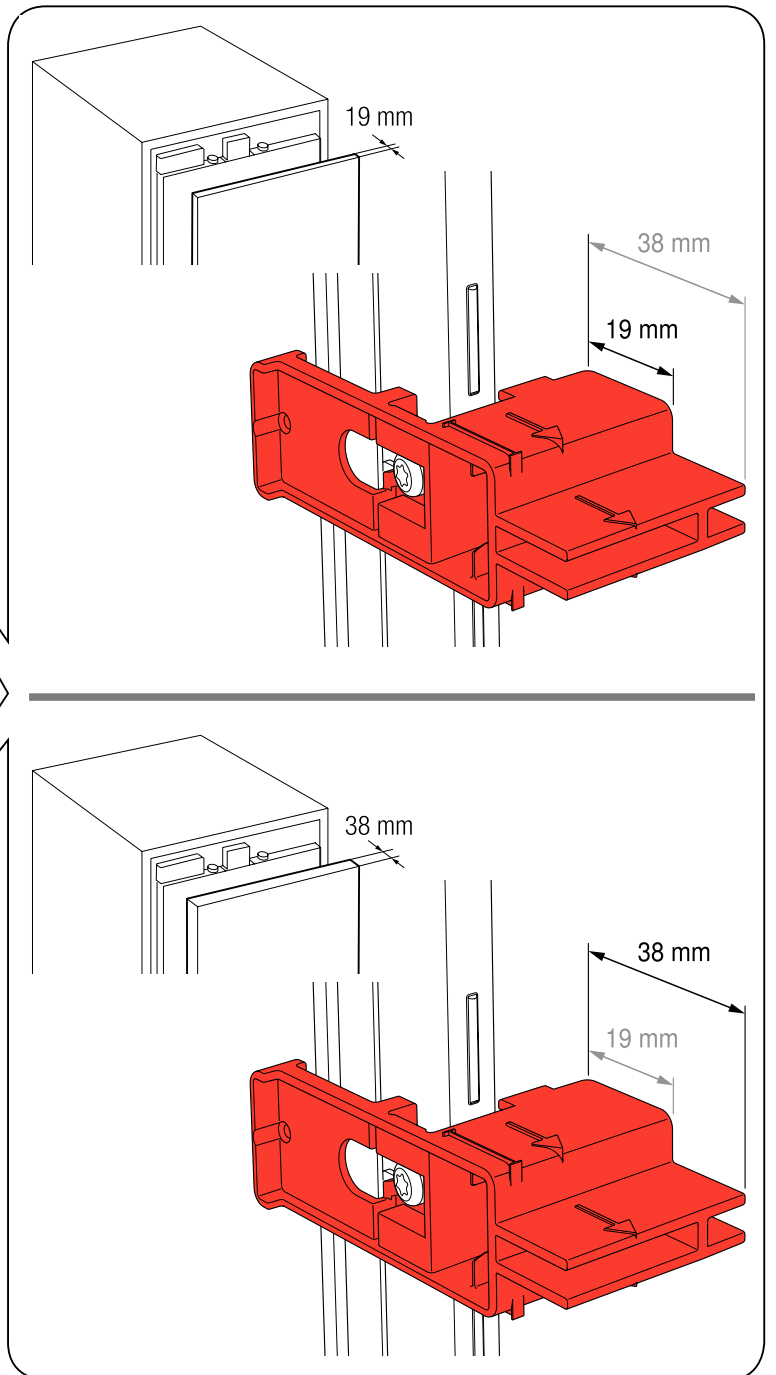
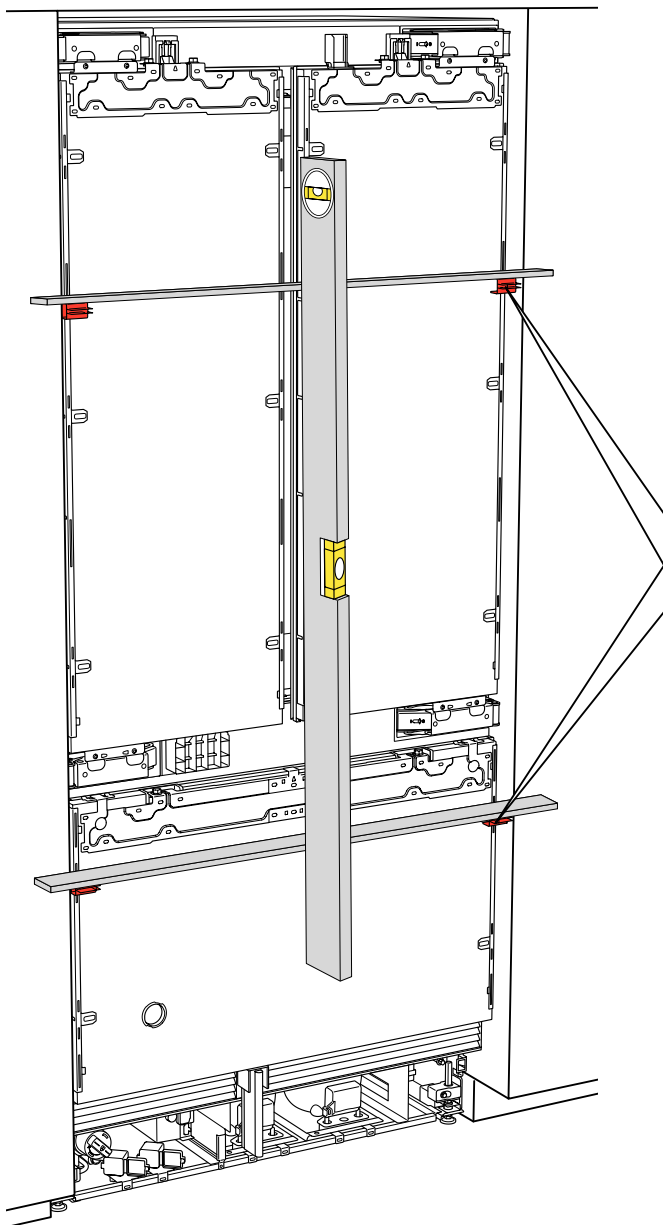
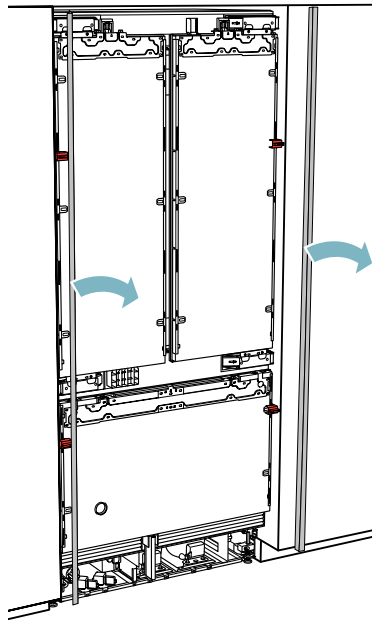
A
B
C
D




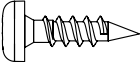


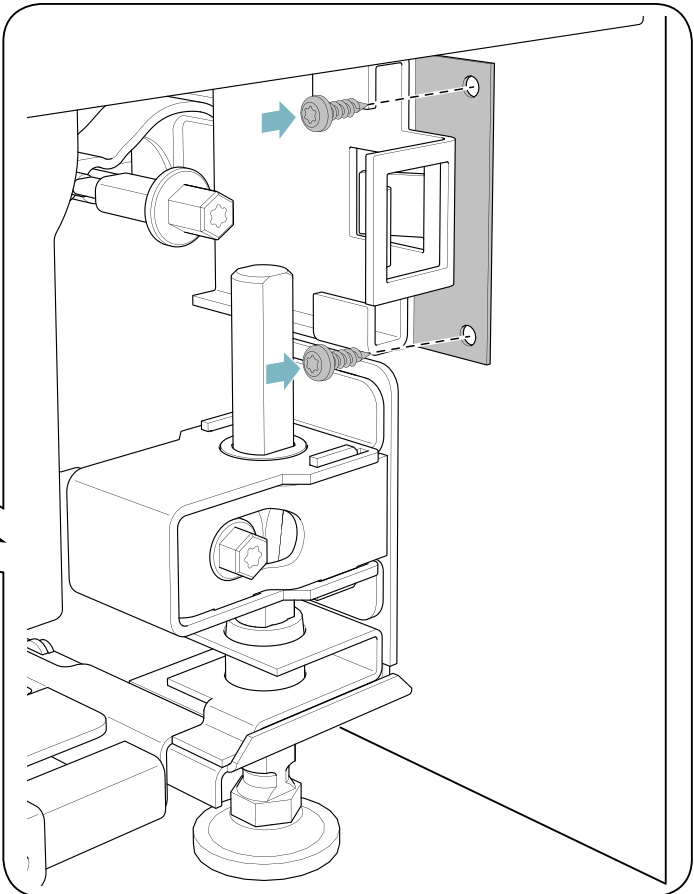
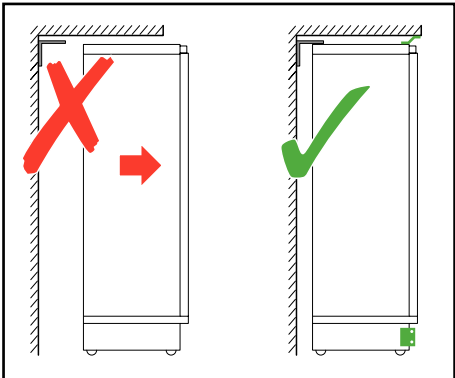
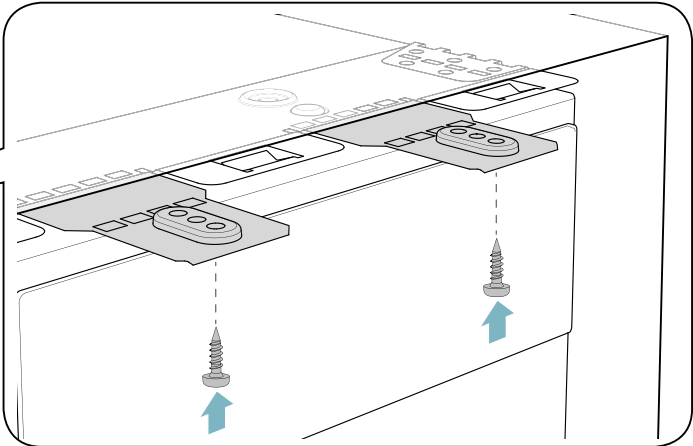
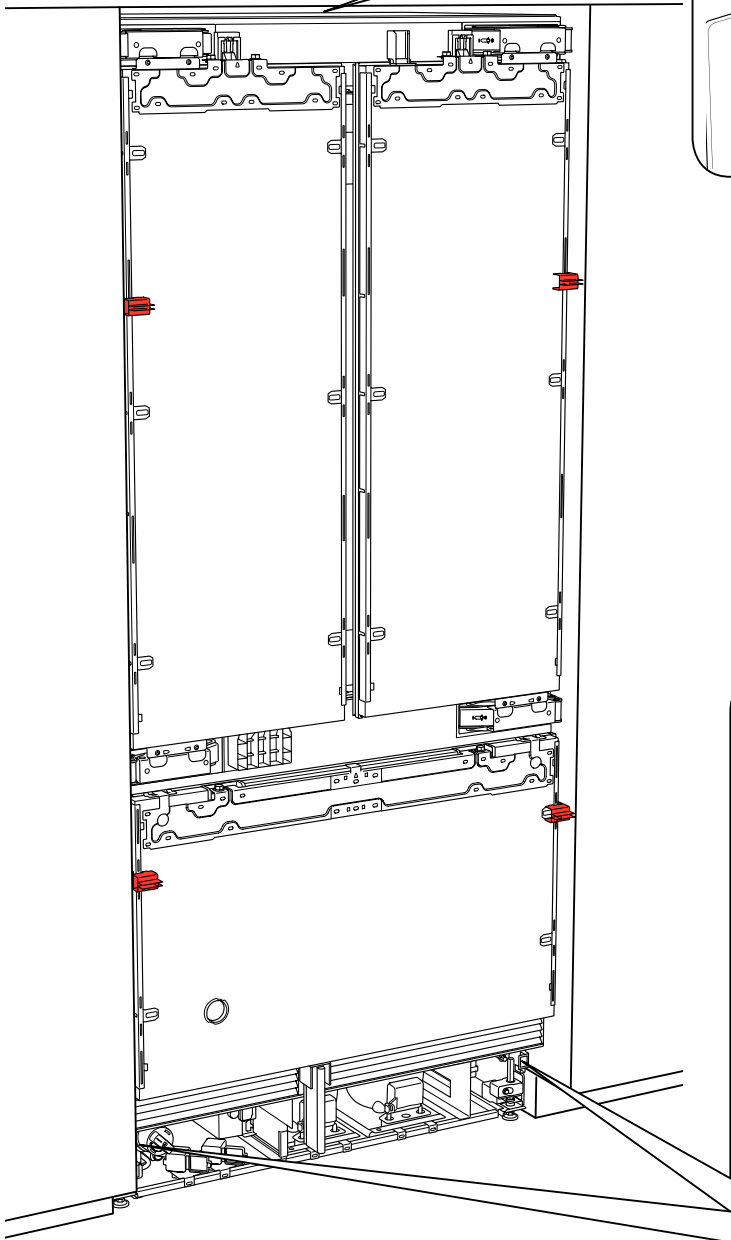
- A
- B
- C
- D



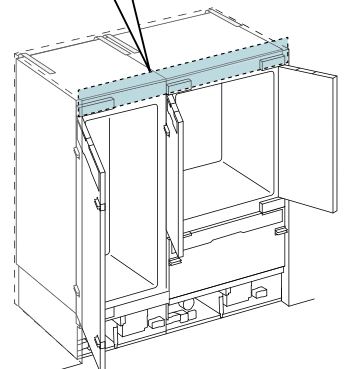
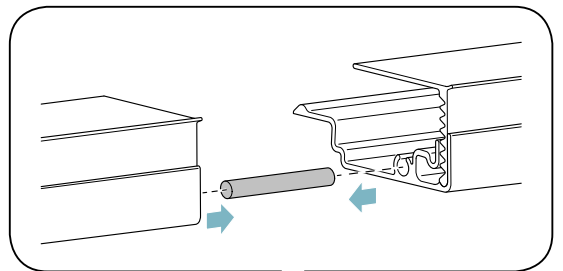
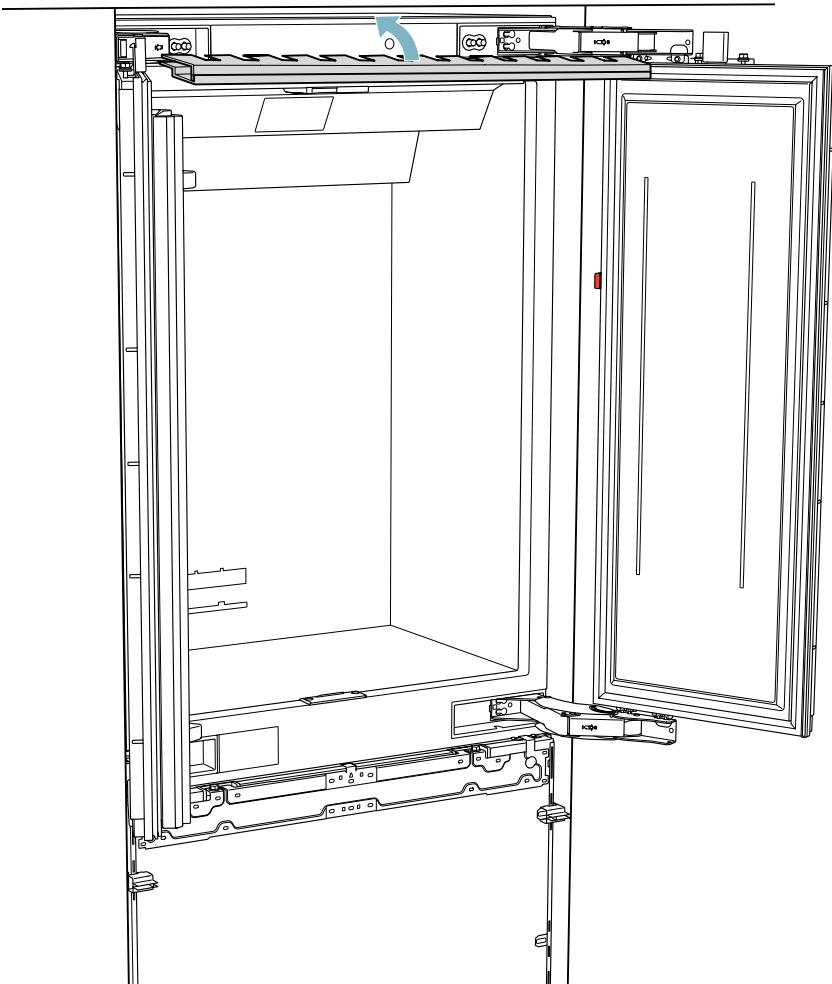
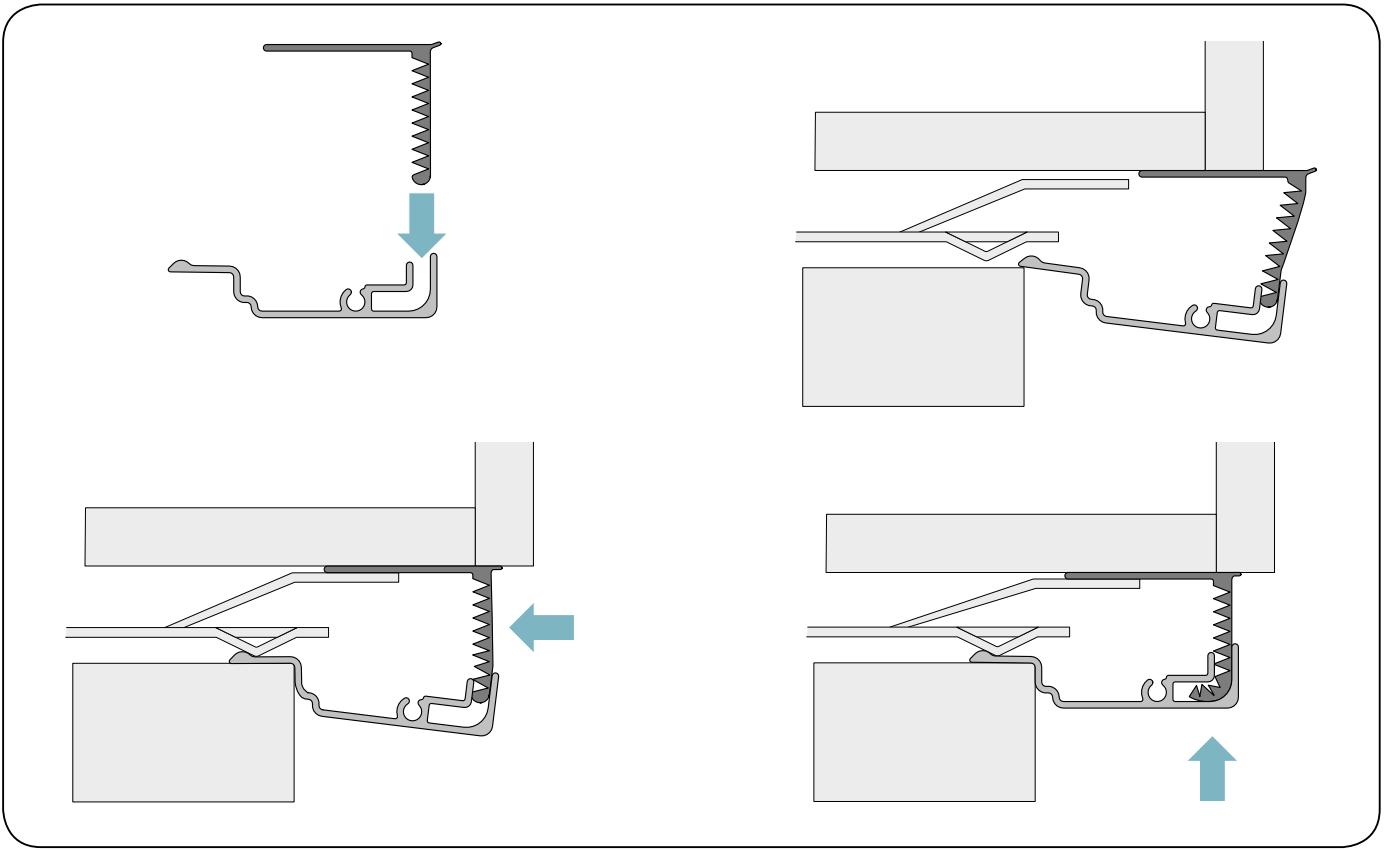


A
B
C
D

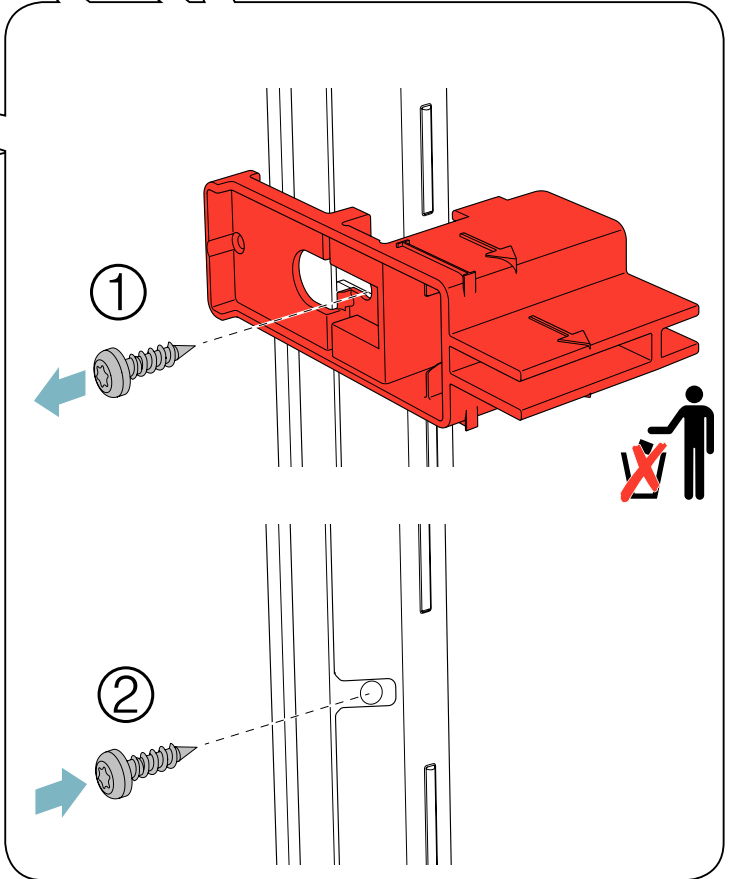
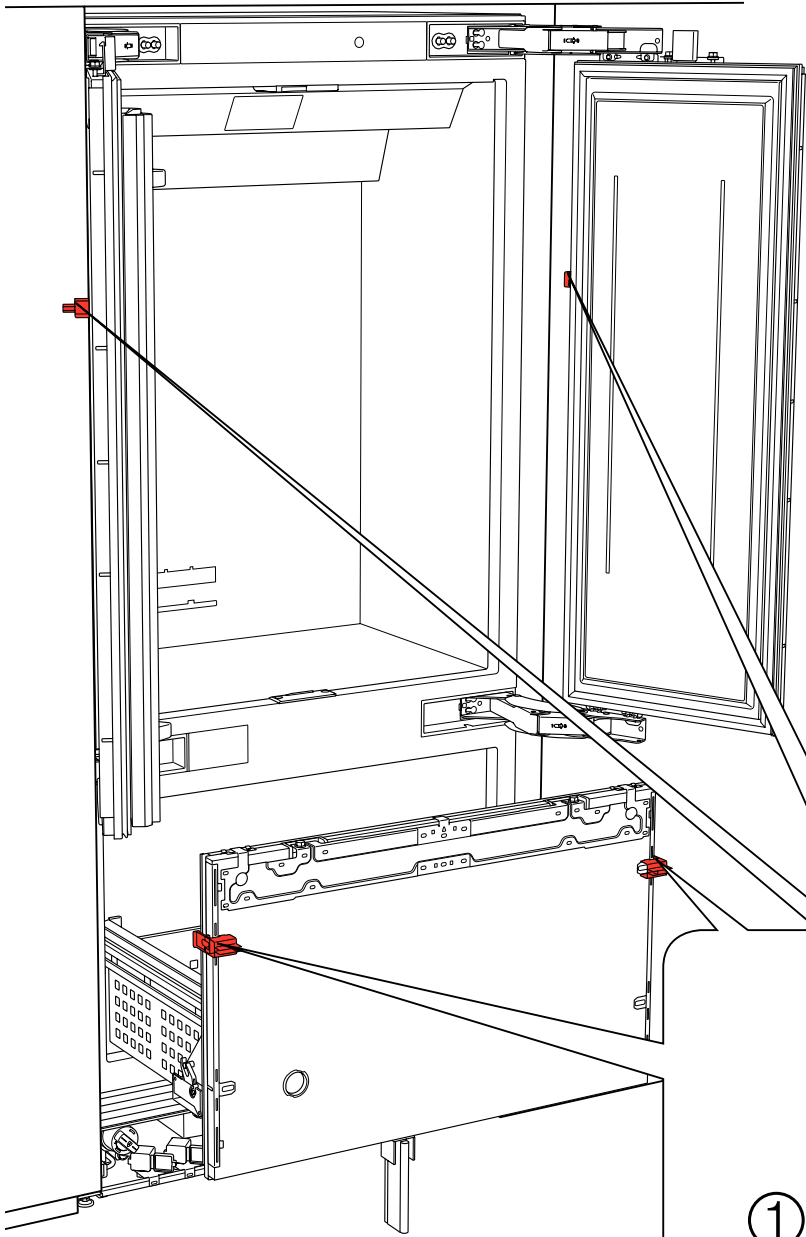
4x15   8x

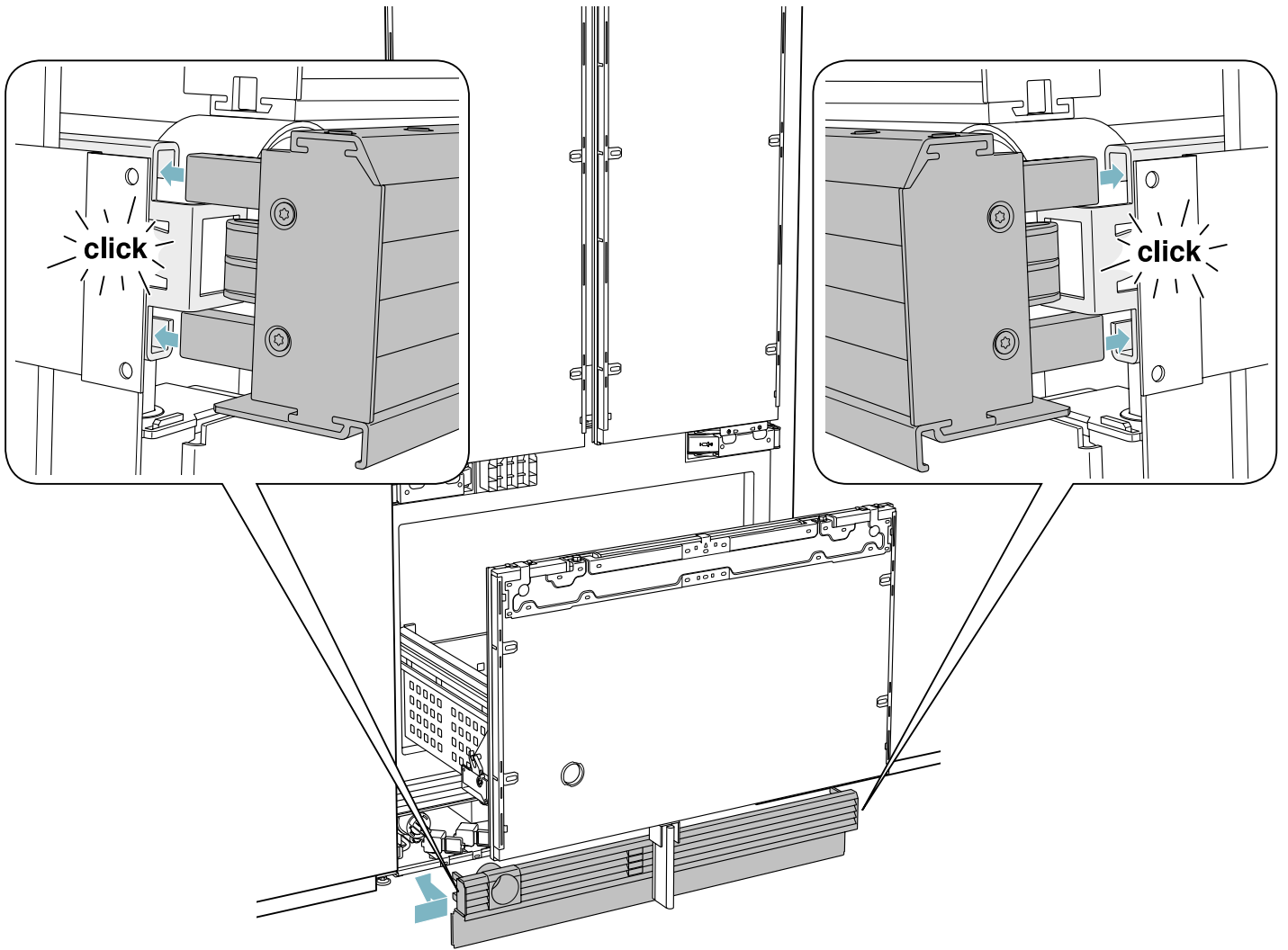
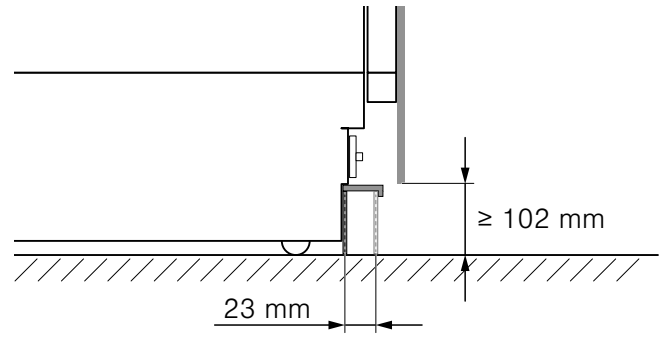
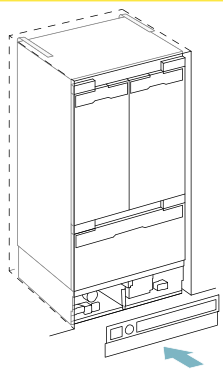


A
B
C
D

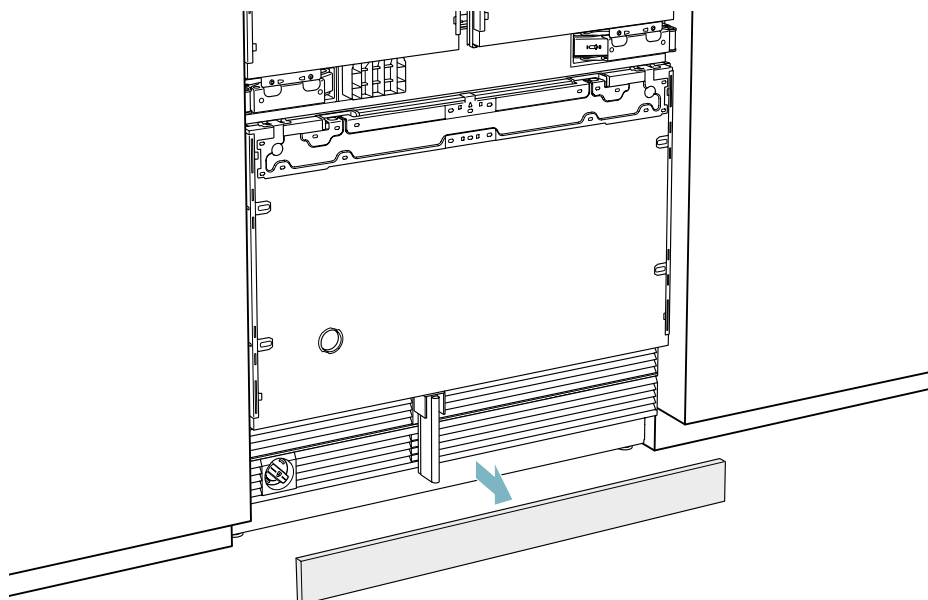
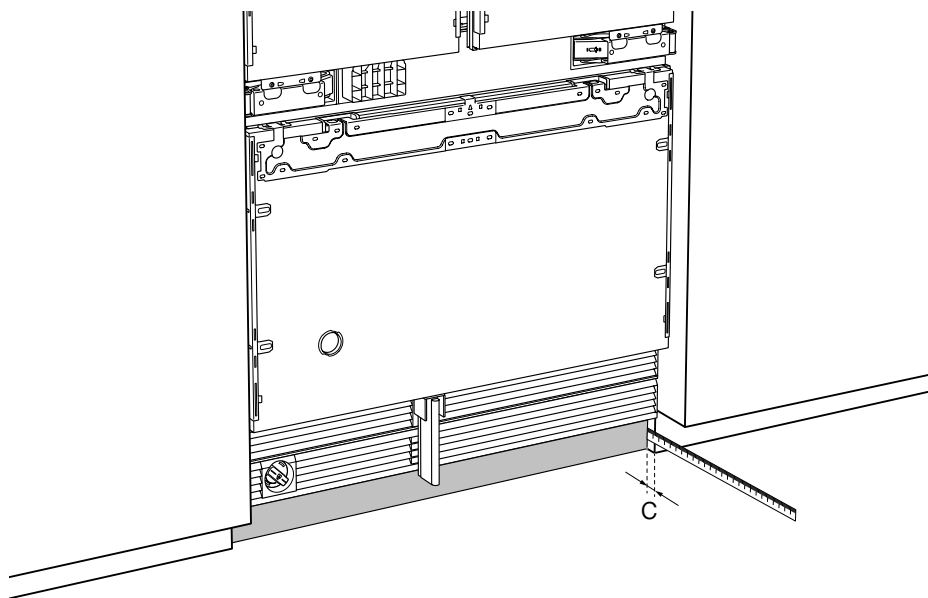
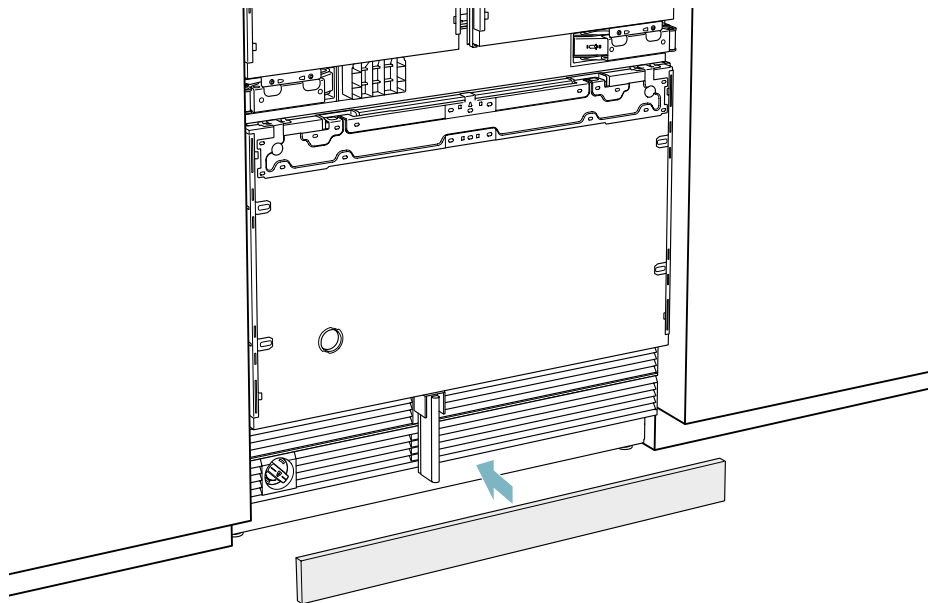


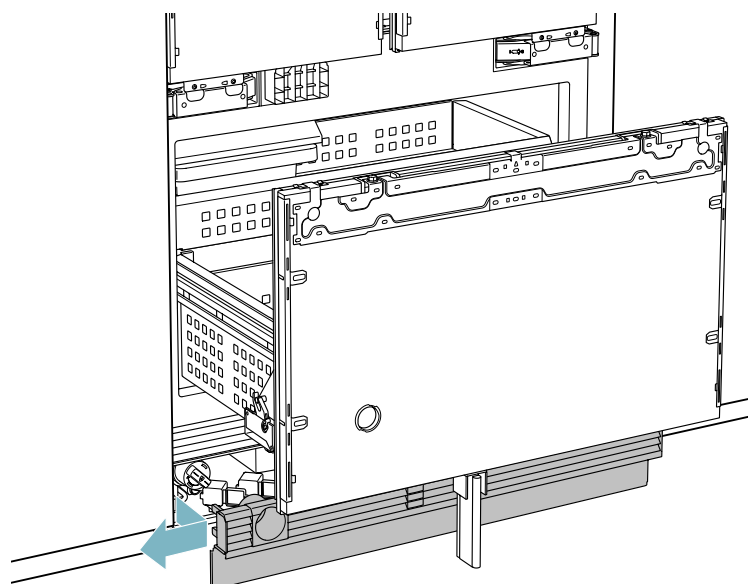
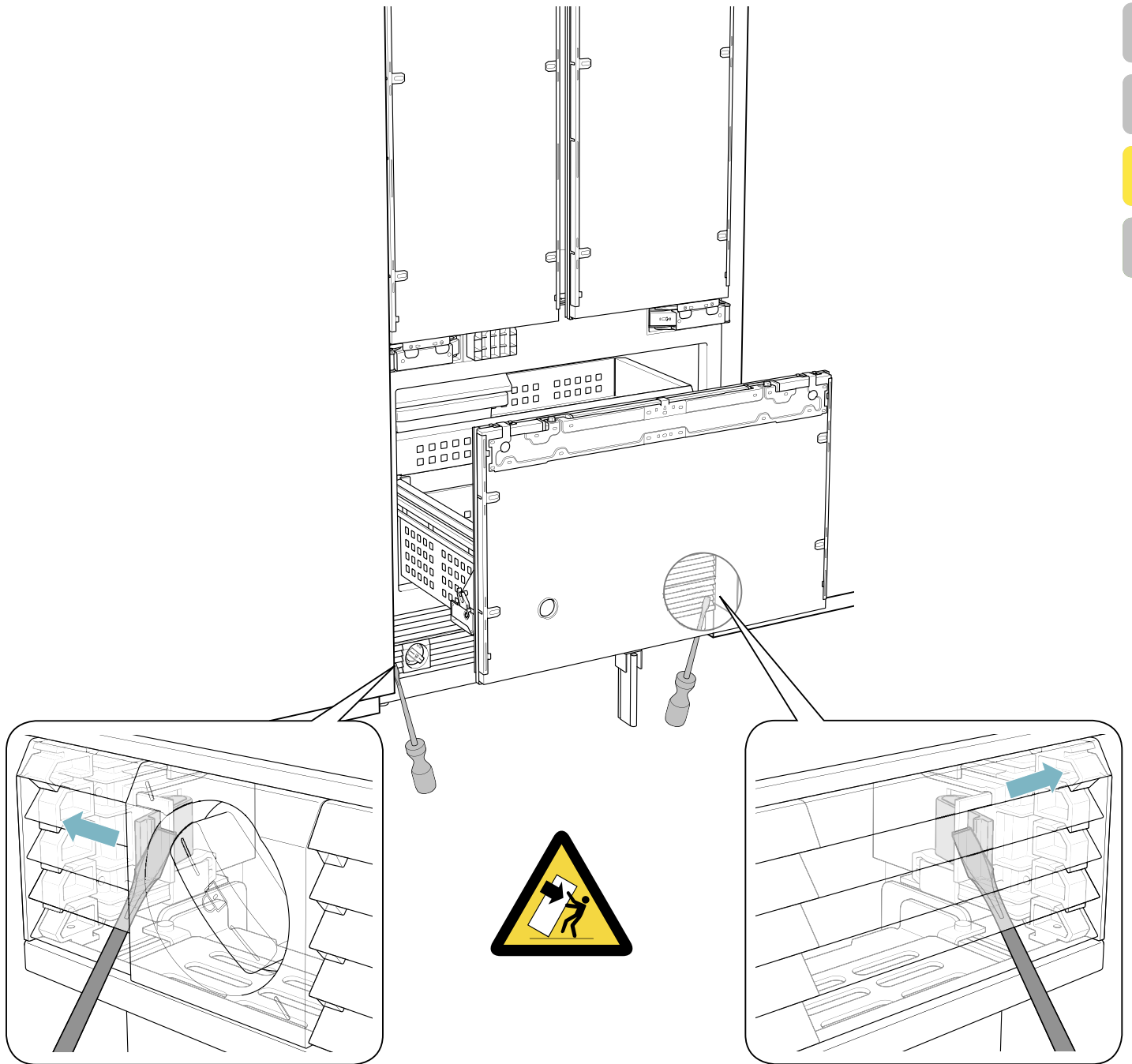
A
B
C
D



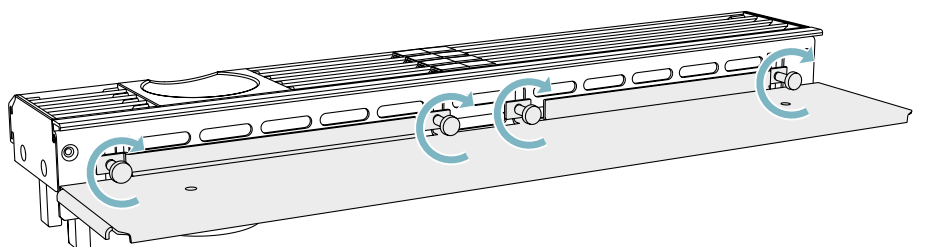
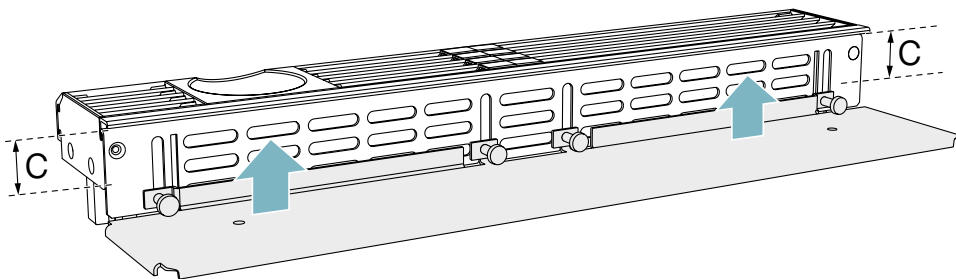
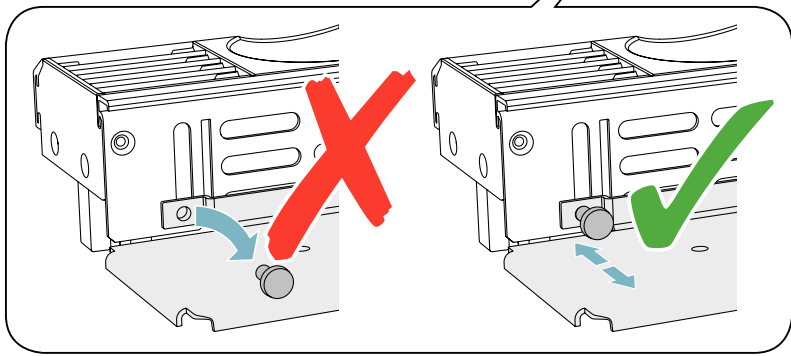
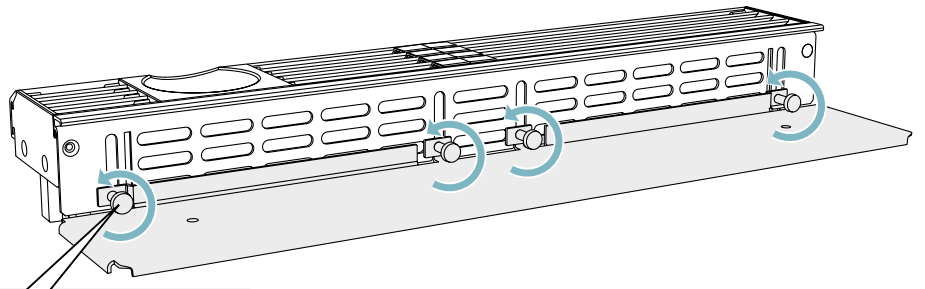
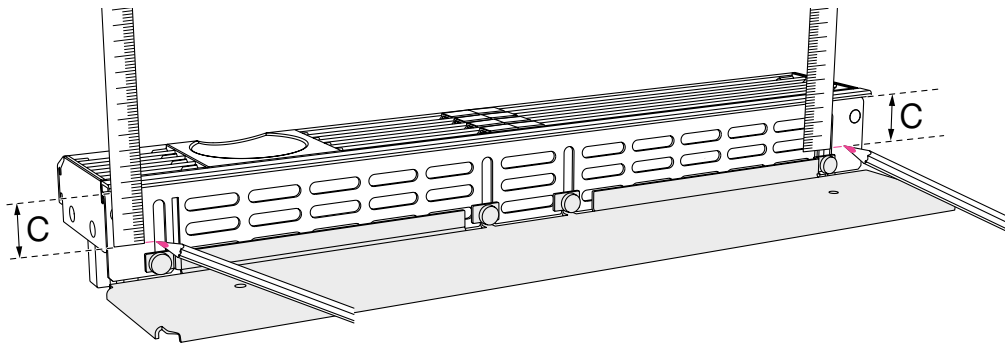


- A
- B
- C
- D

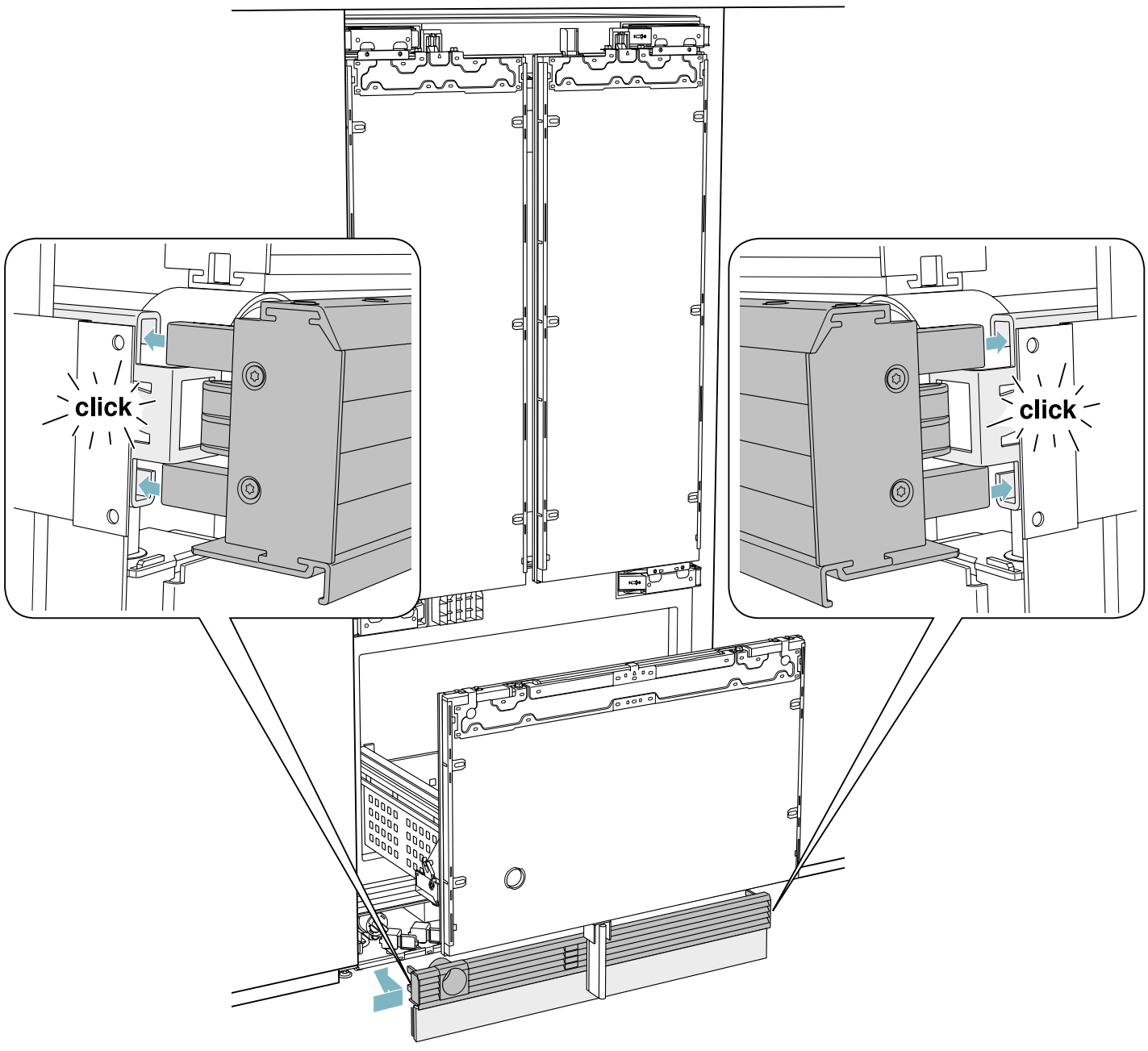
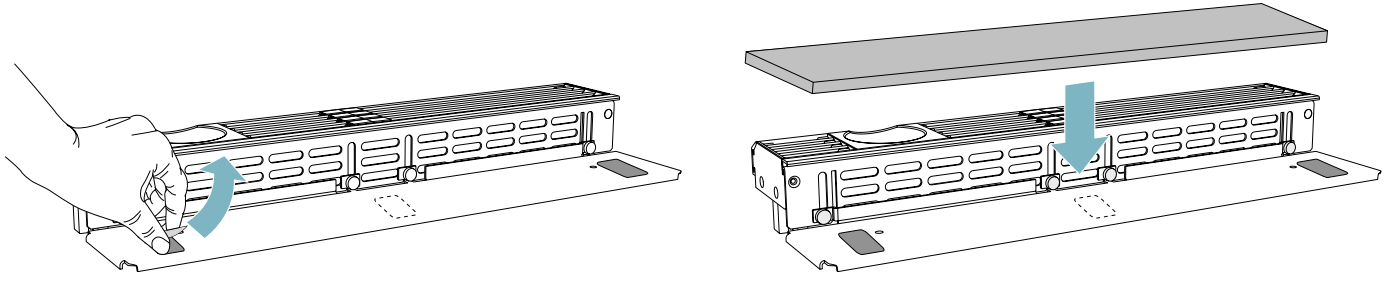




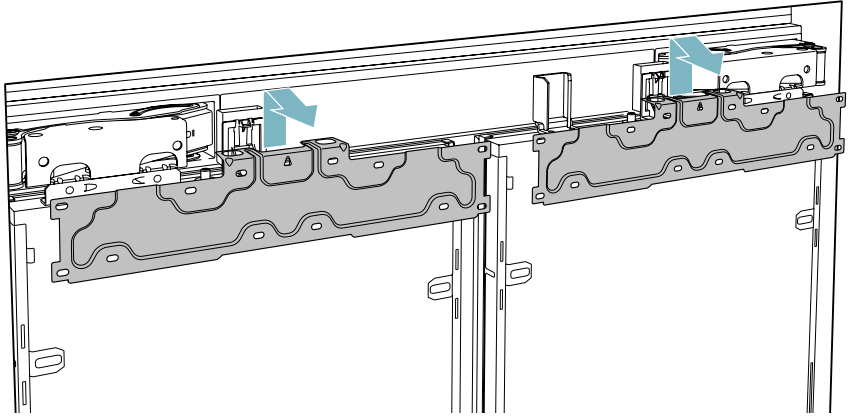
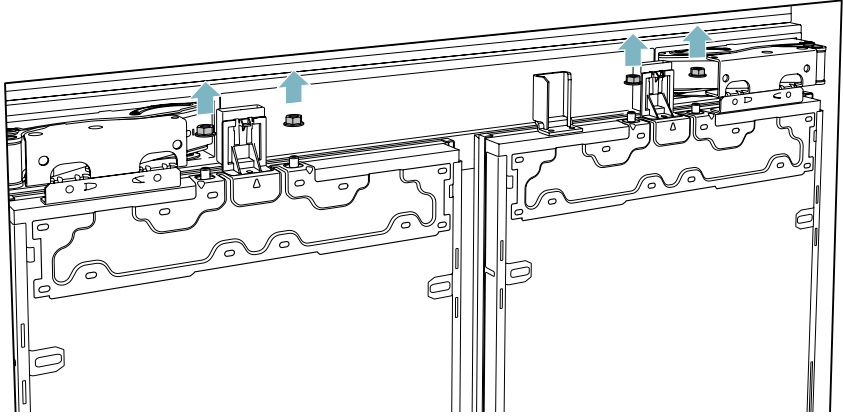
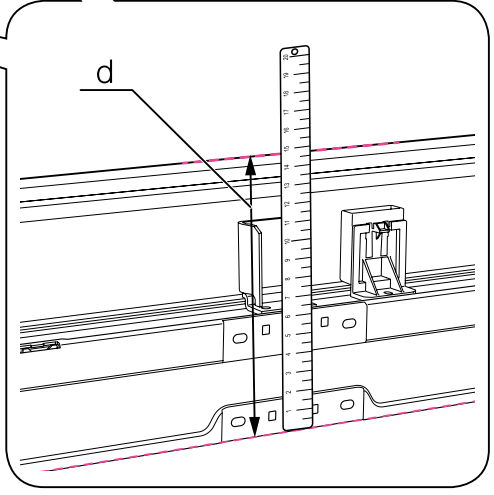
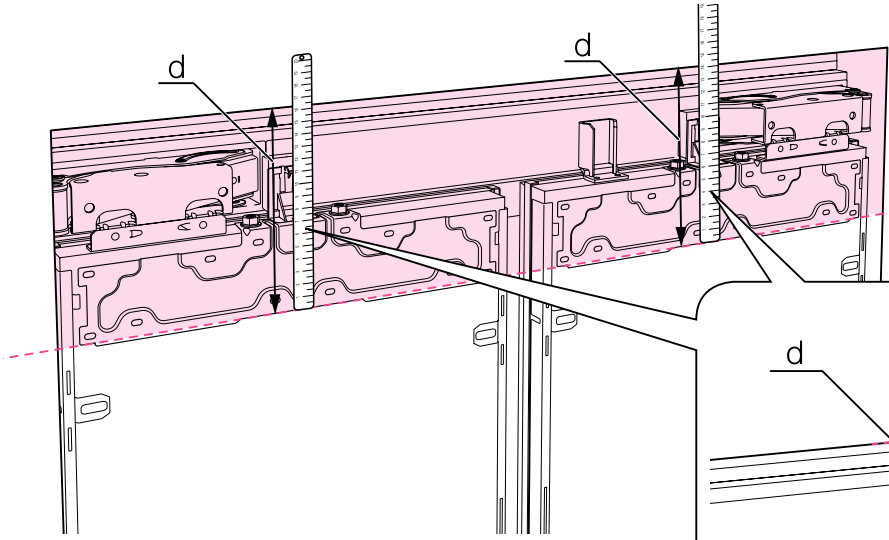
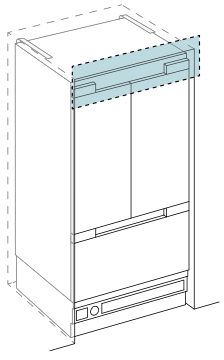
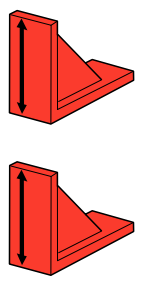
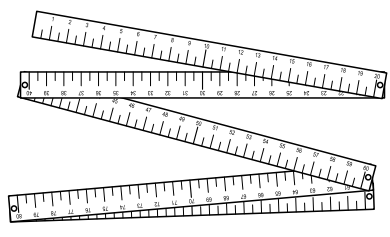
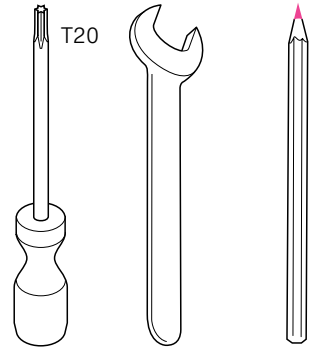
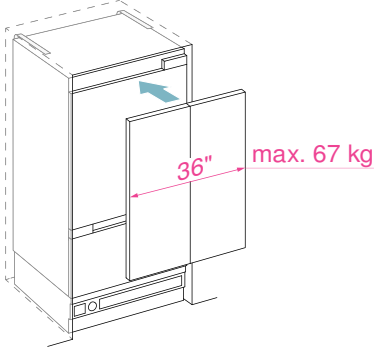
- A
- B
- C
- D

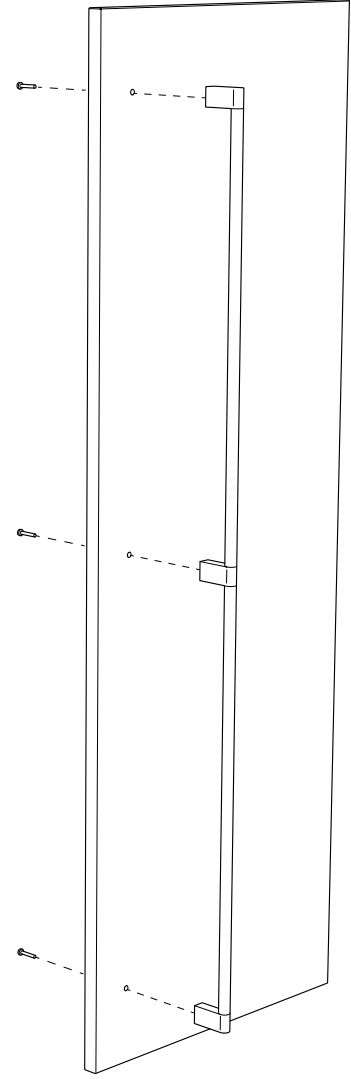
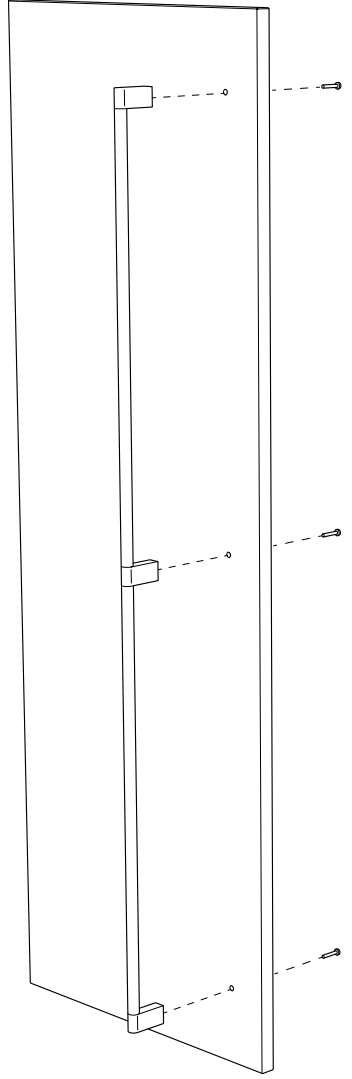
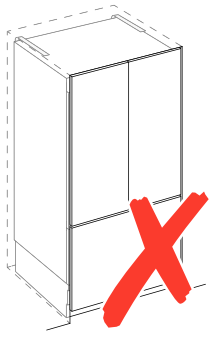
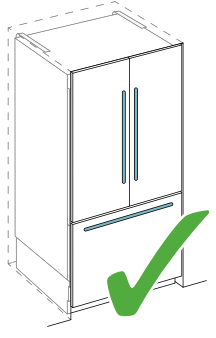
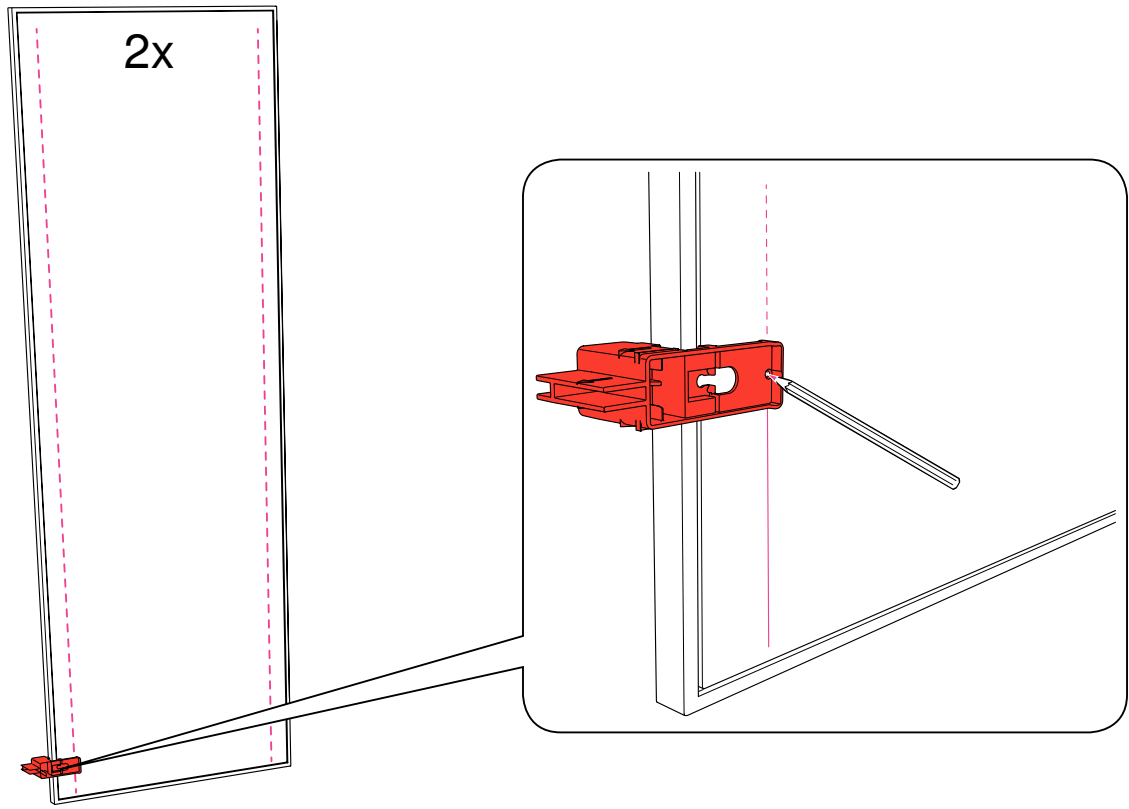


- A
- B
- C
- D





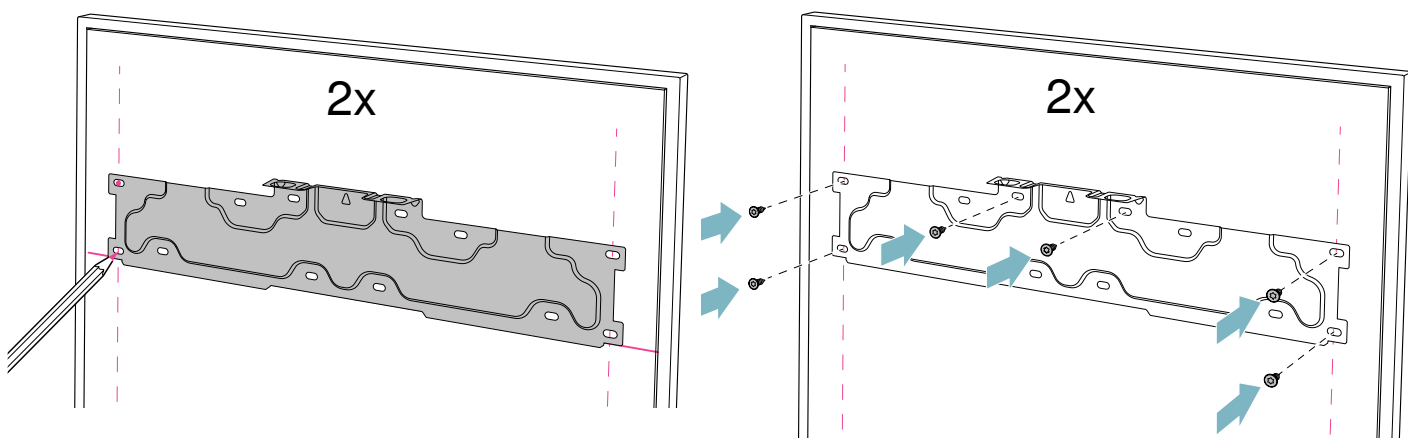
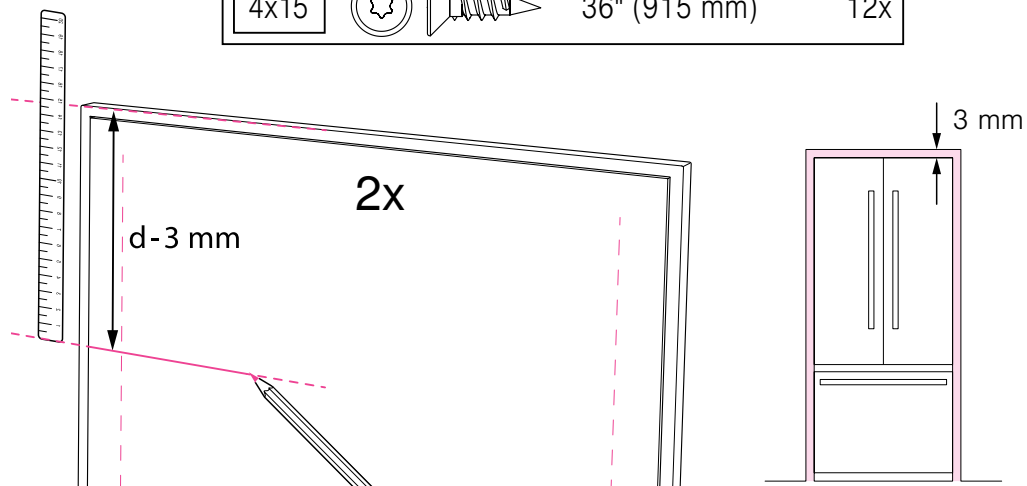
A
B
C
D


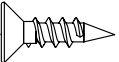


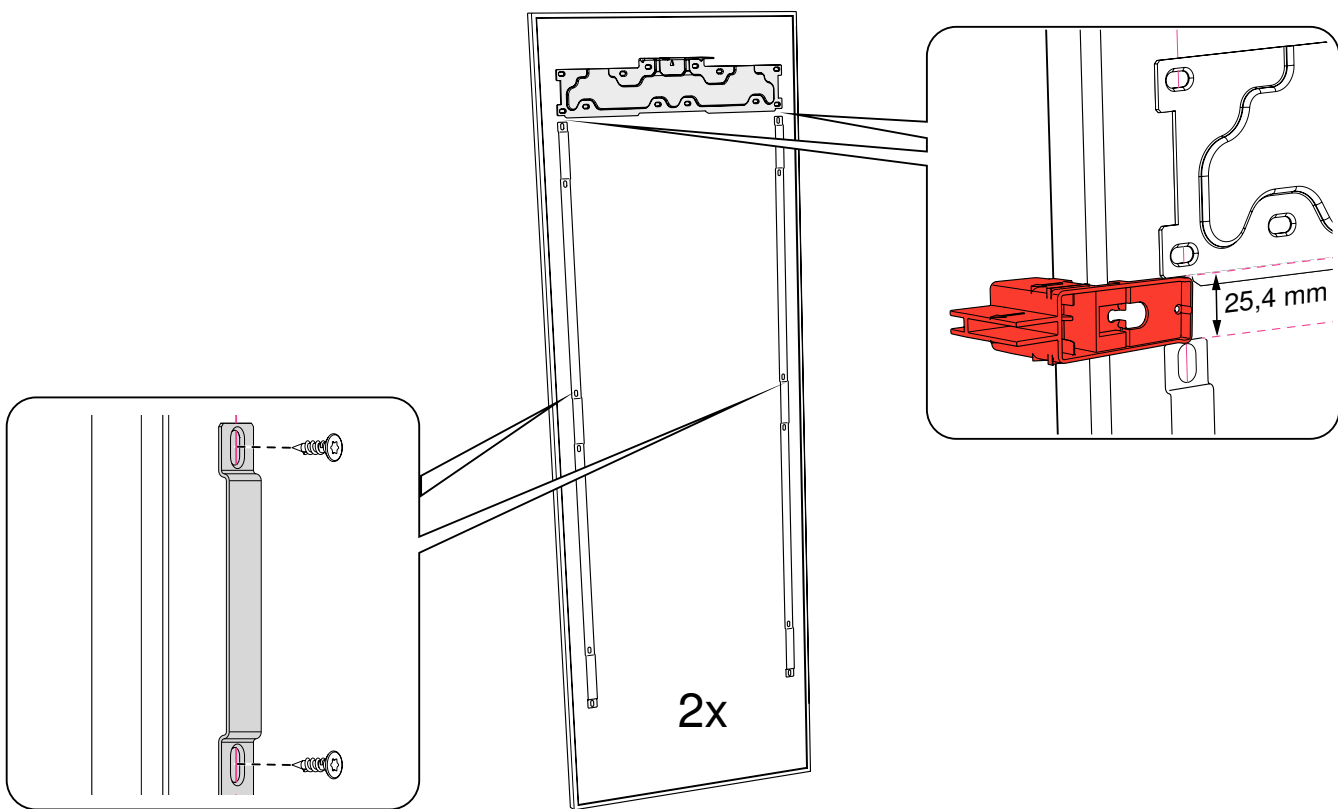


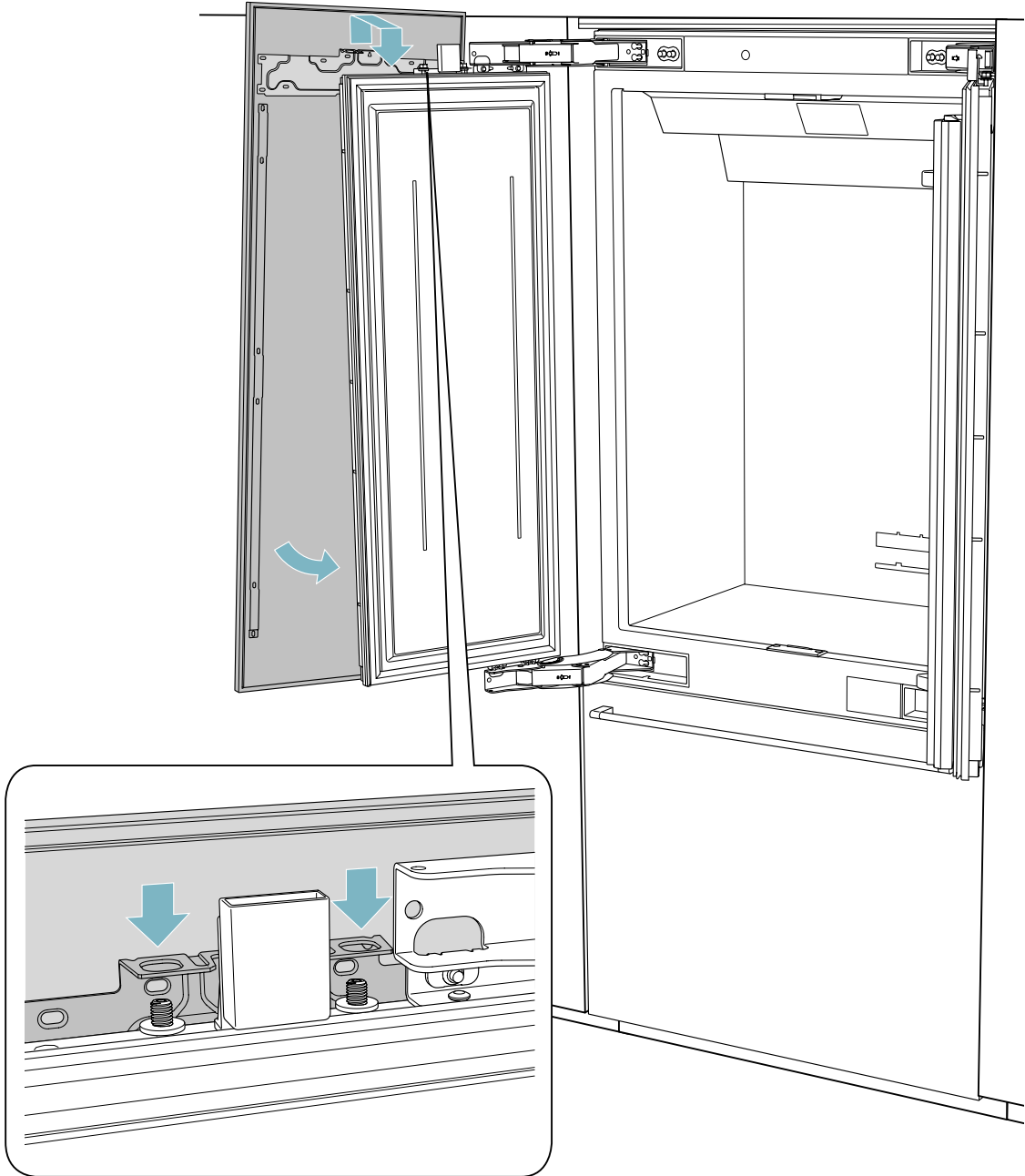
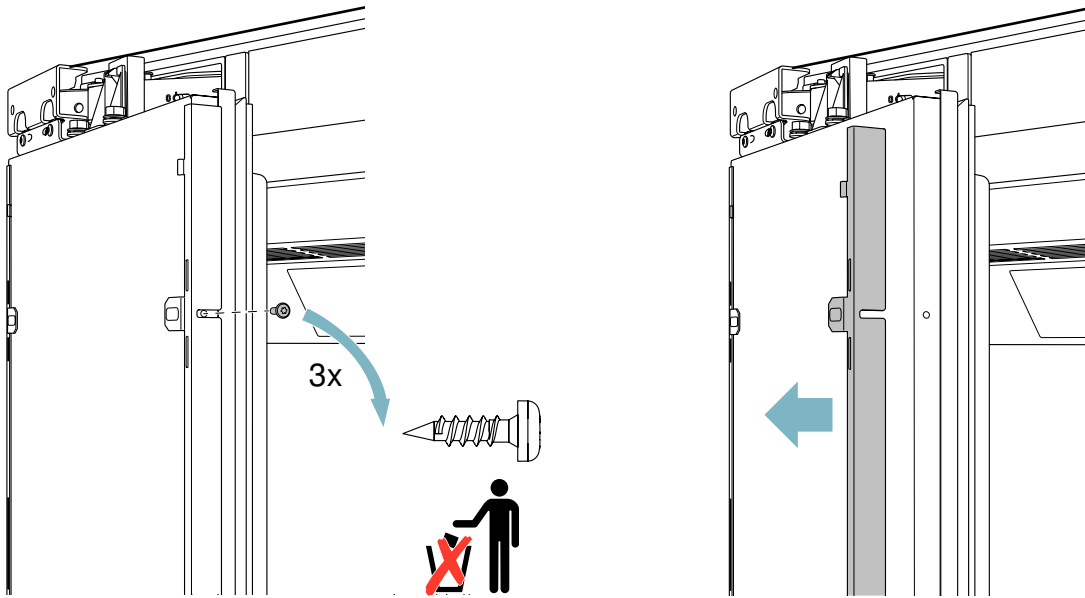
A
B
C
D

4x15   36" (915 mm) 12x

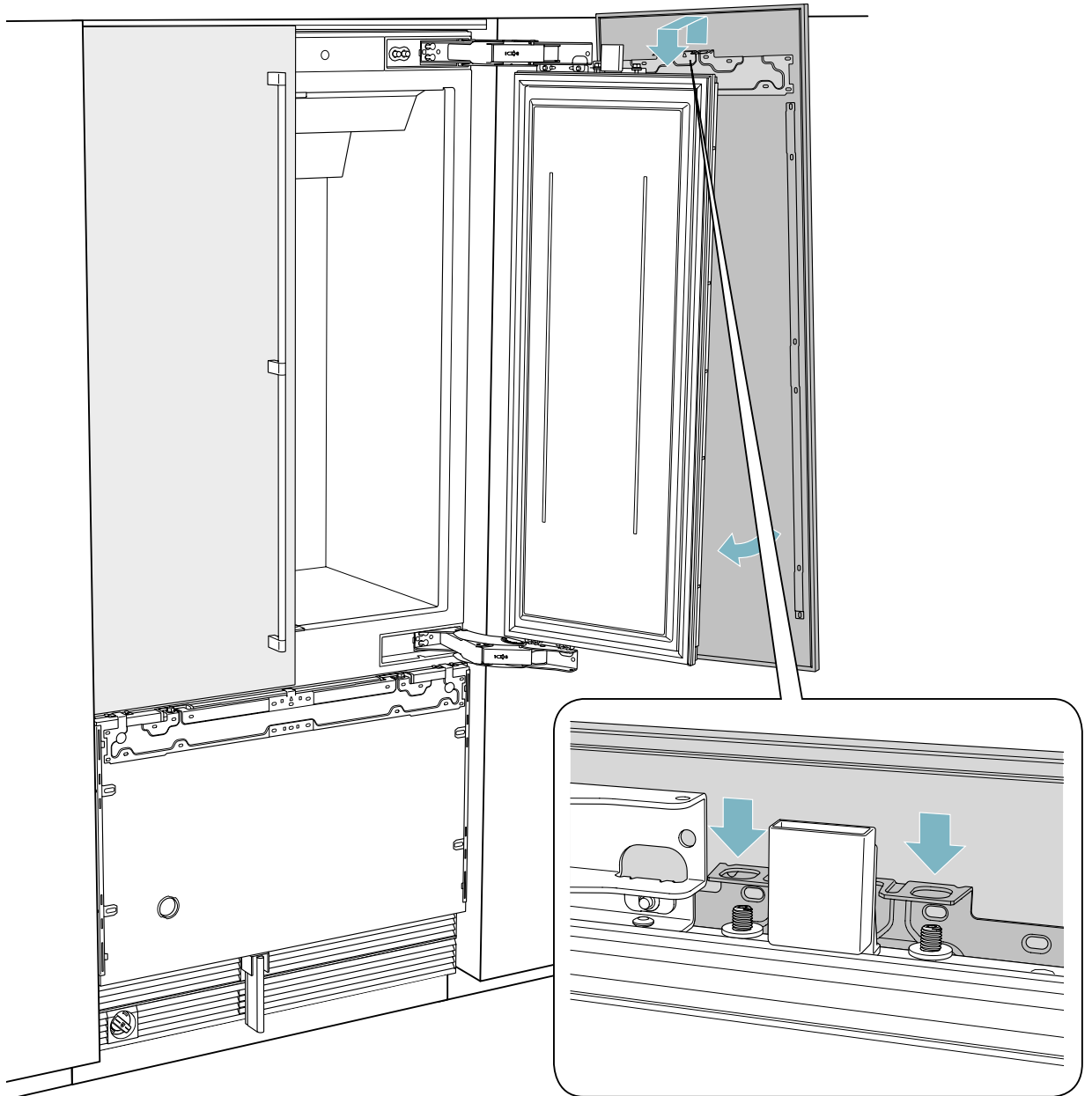
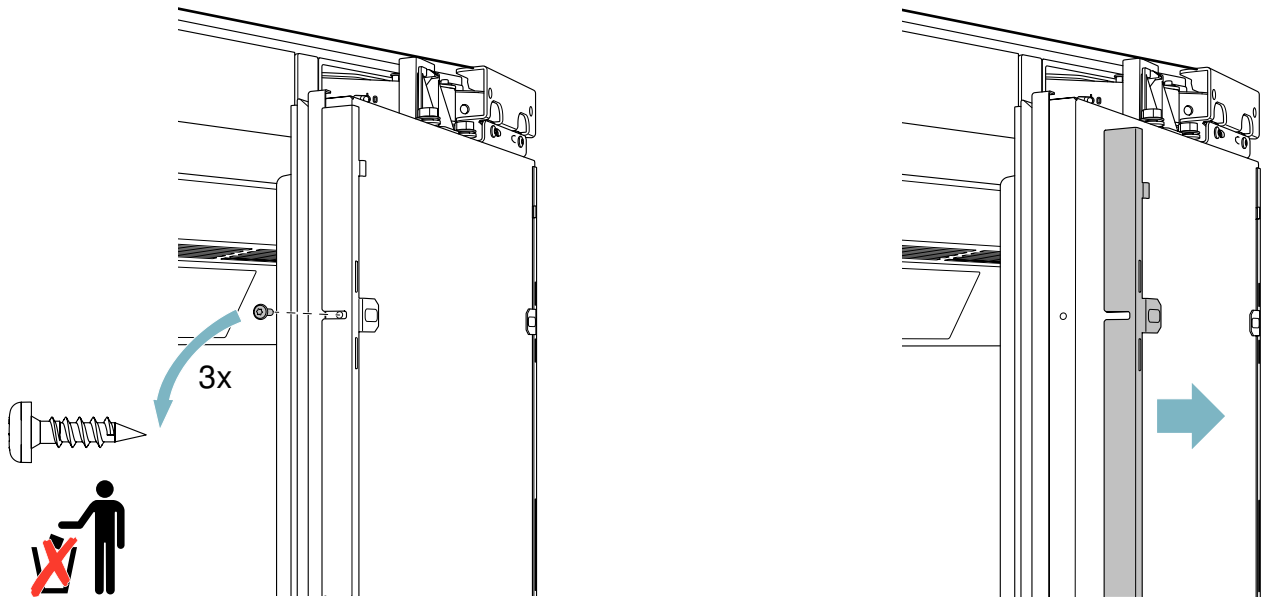


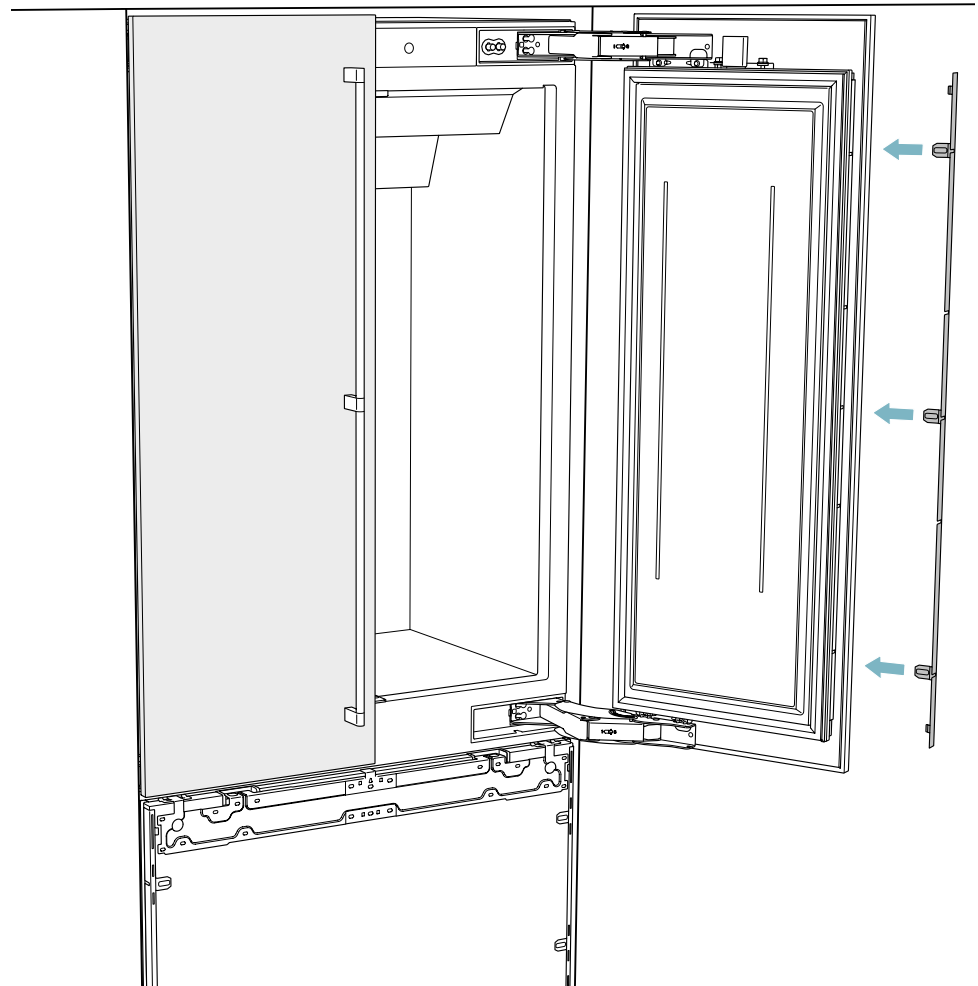
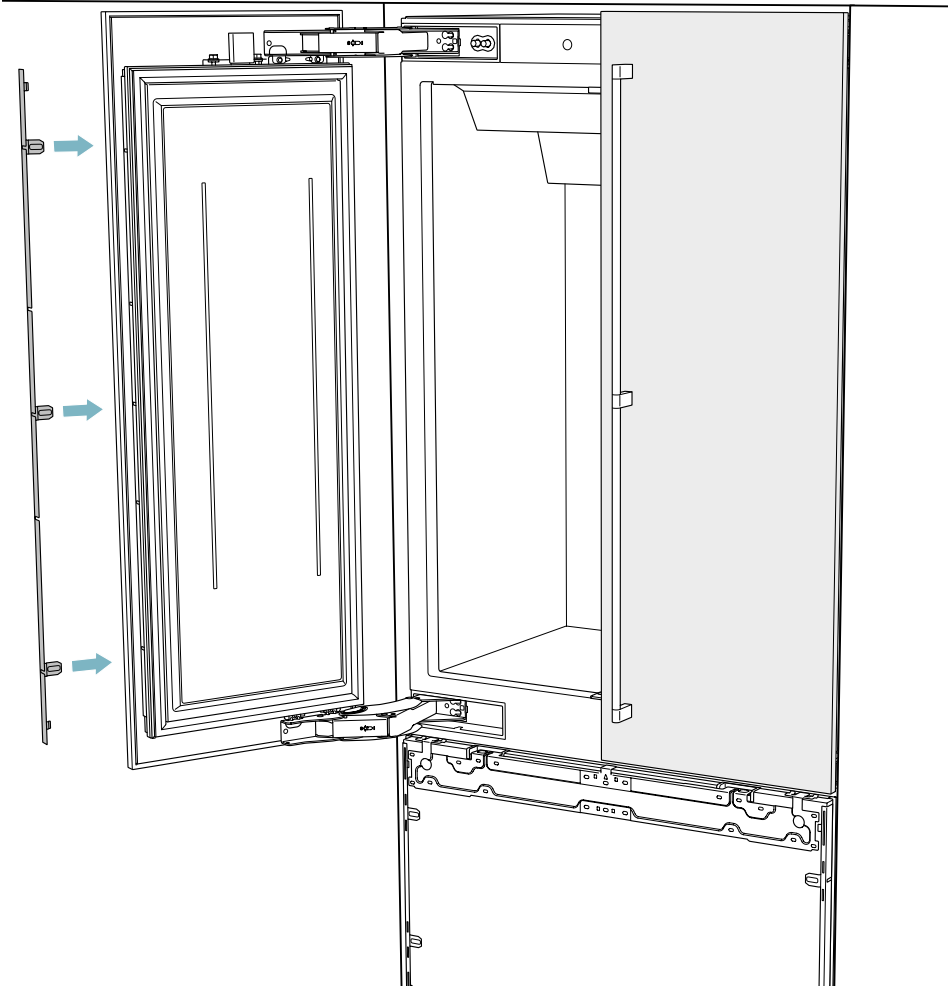
4x15   24x



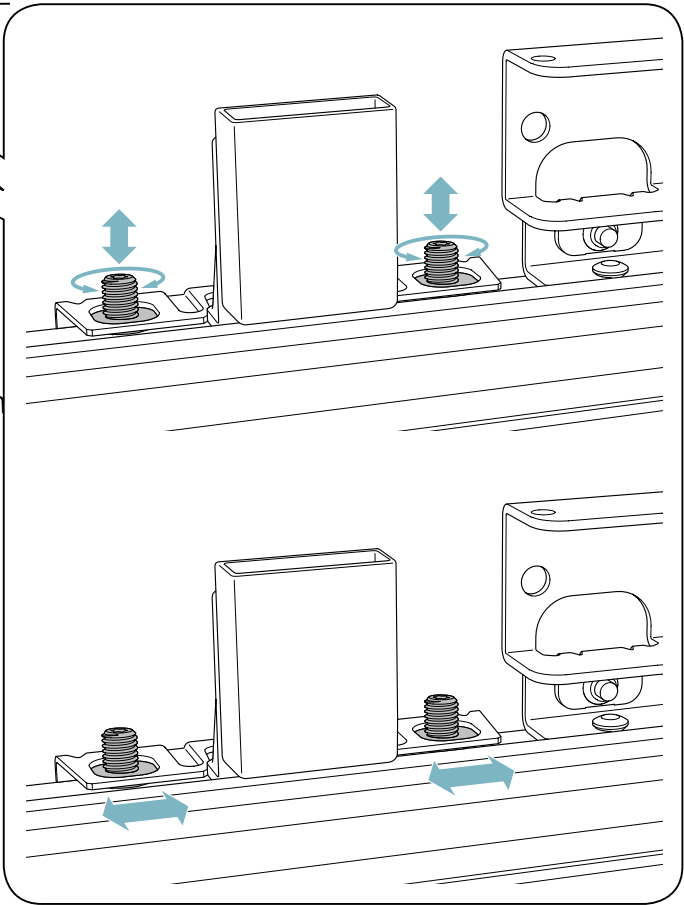
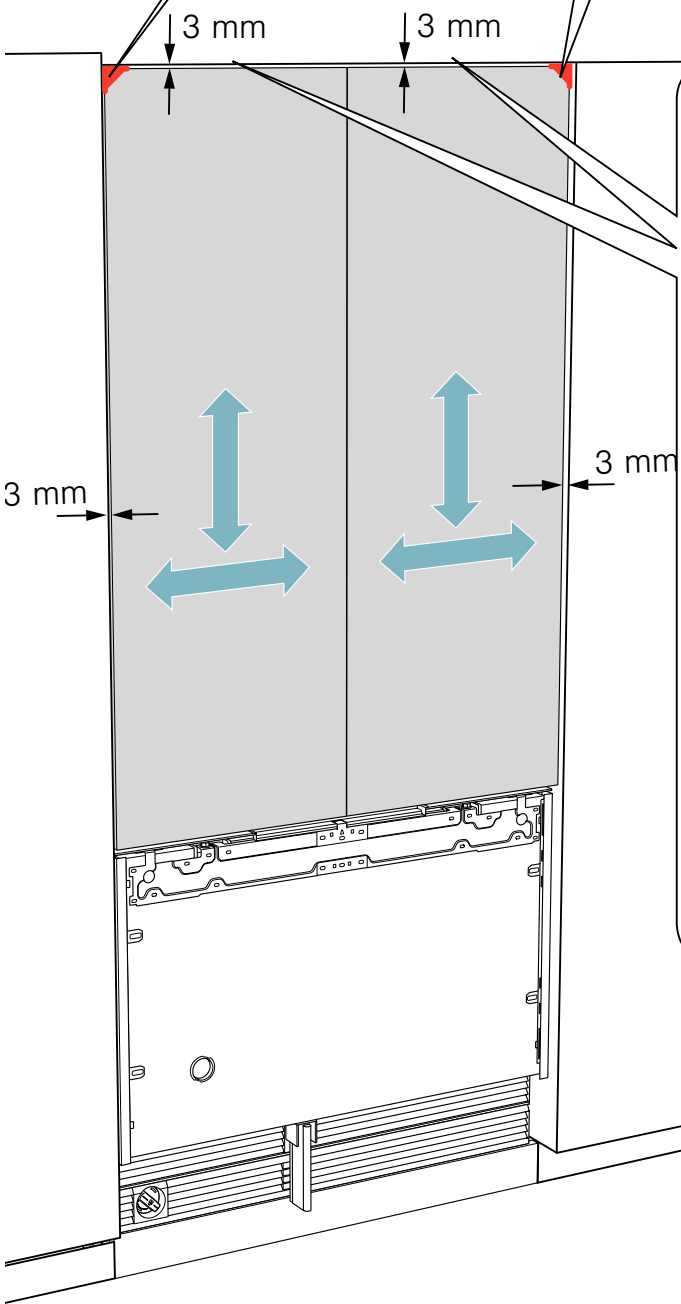
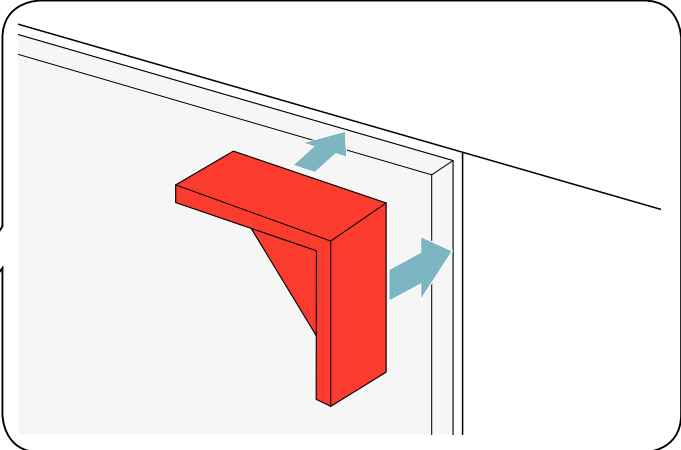


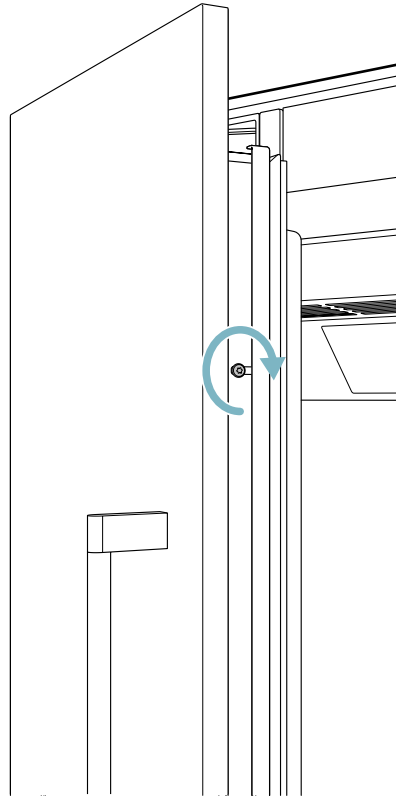
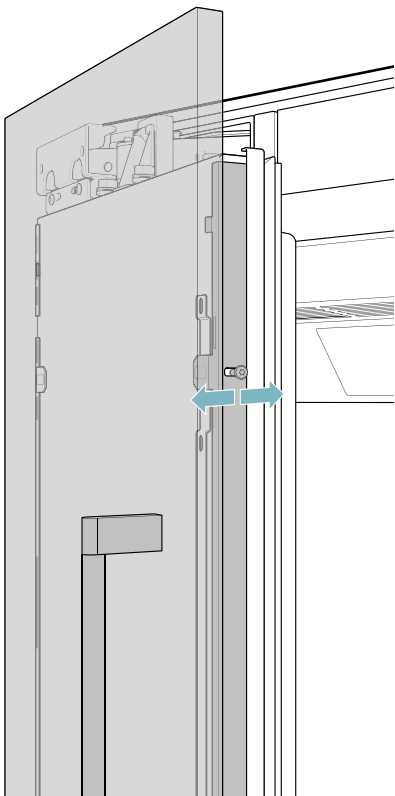
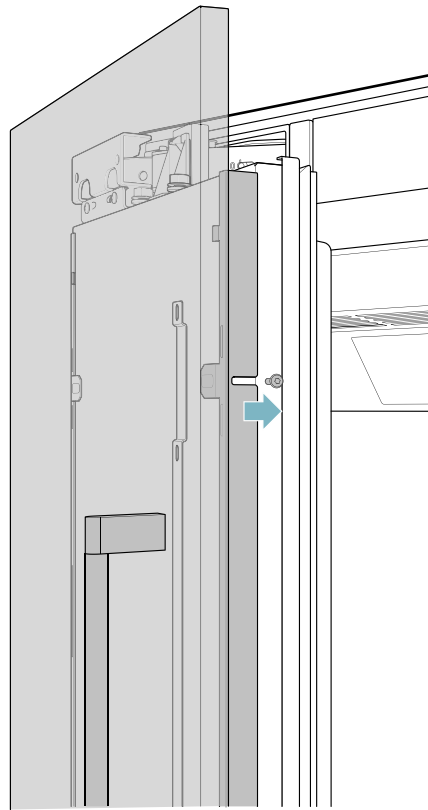
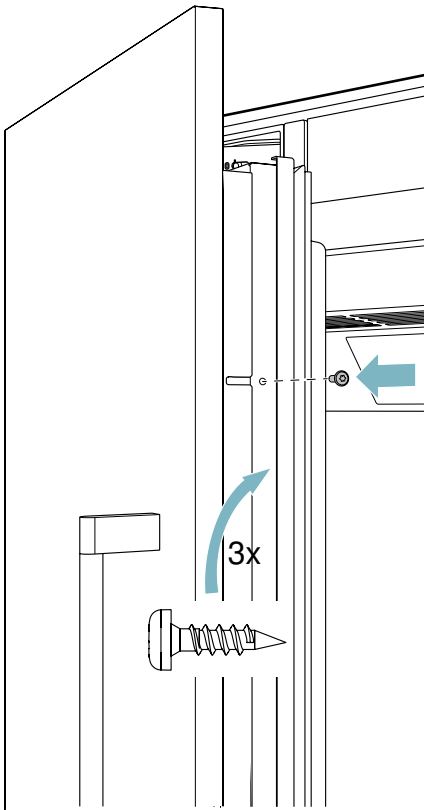
- A
- B
- C
- D



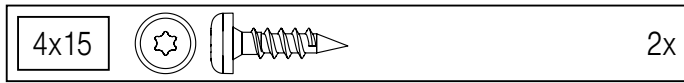
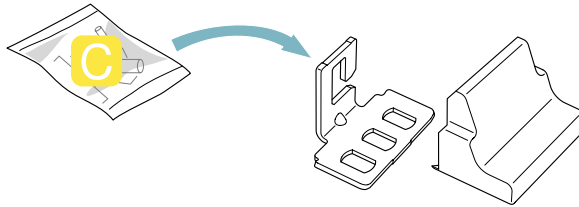
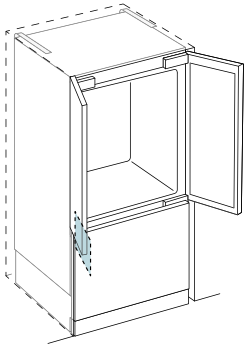


- A
- B
- C
- D

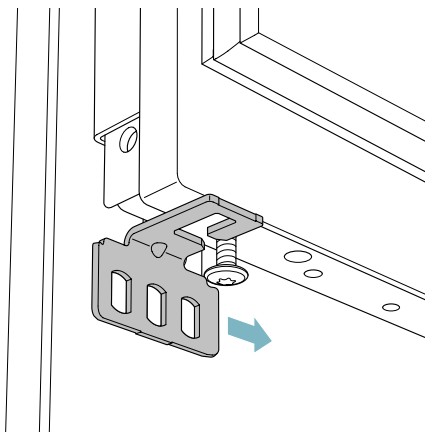




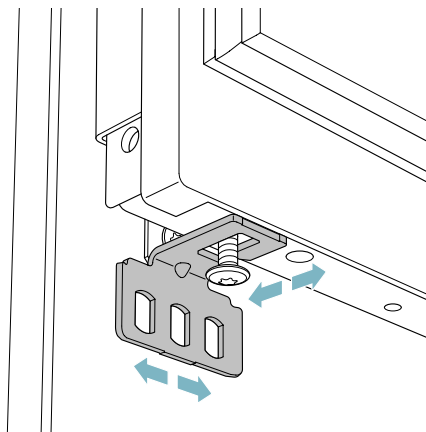
- A
- B
- C
- D



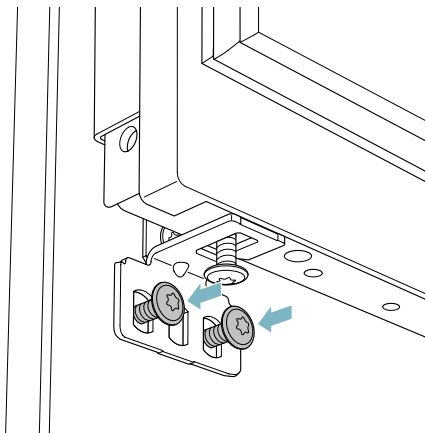
①



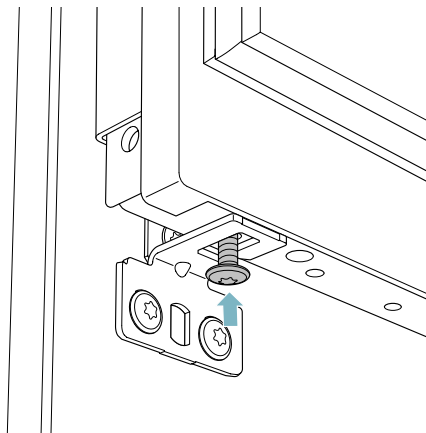
②



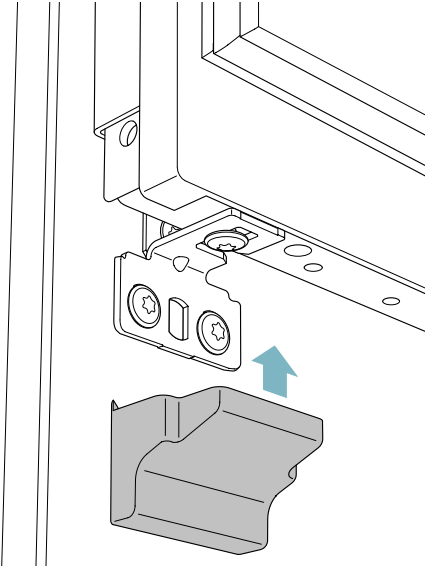
③



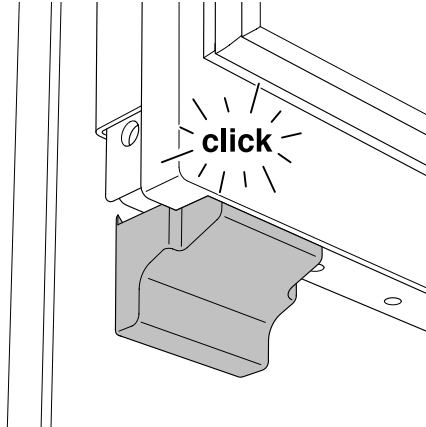
④

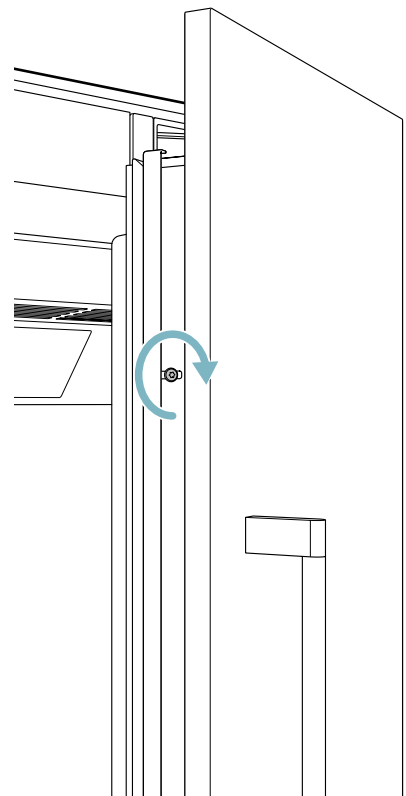
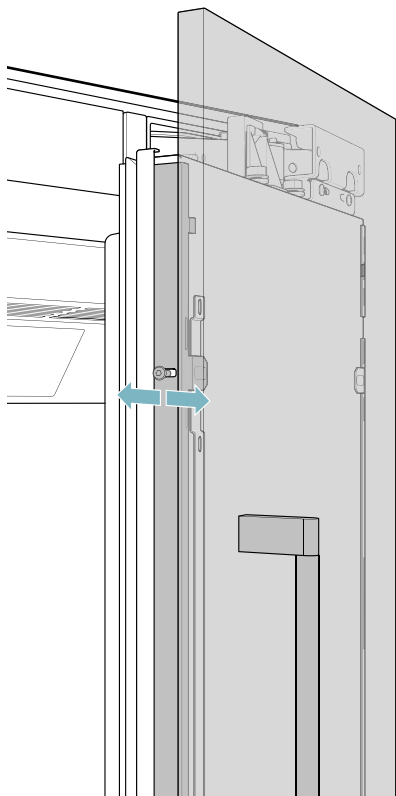
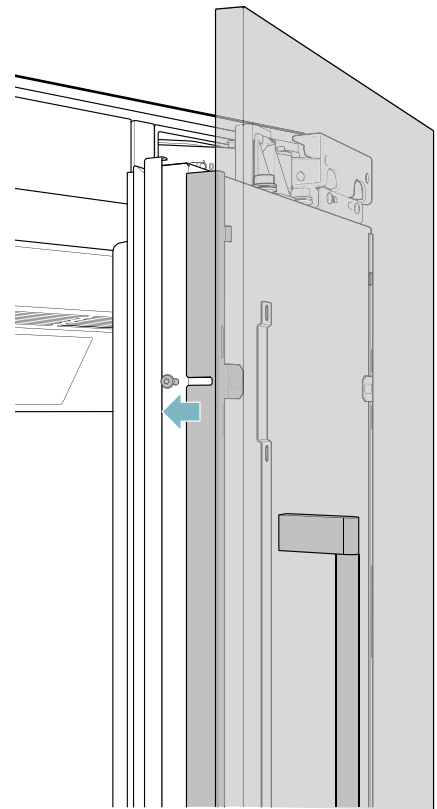
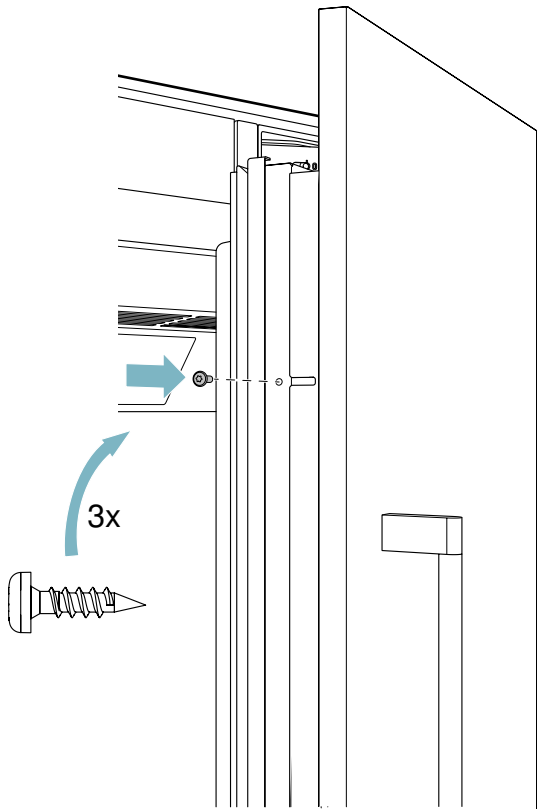


⑤

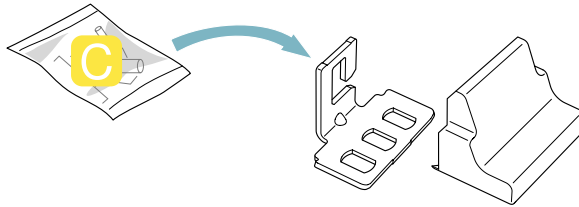
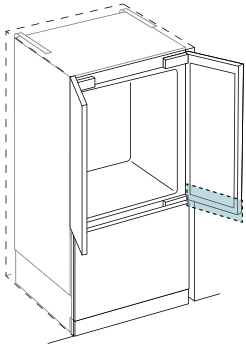




⑥

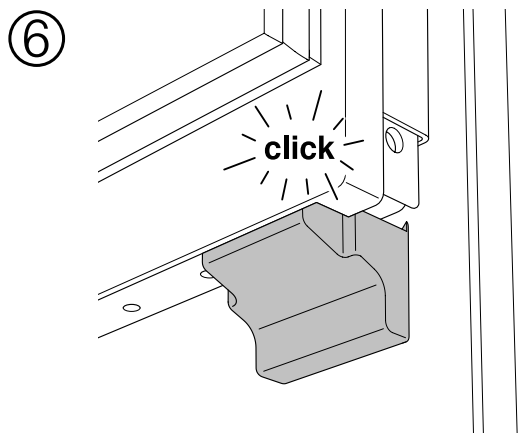
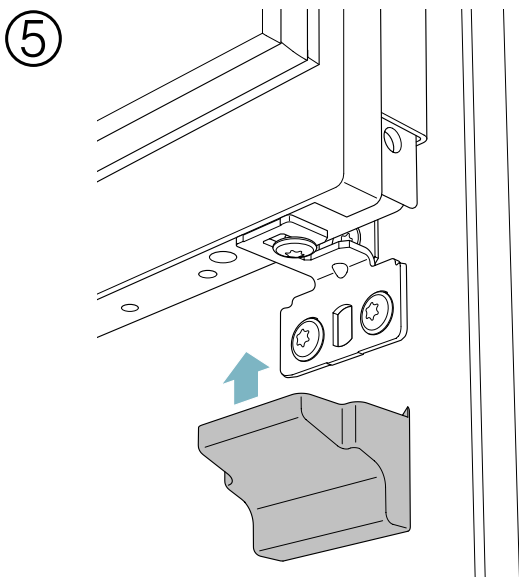
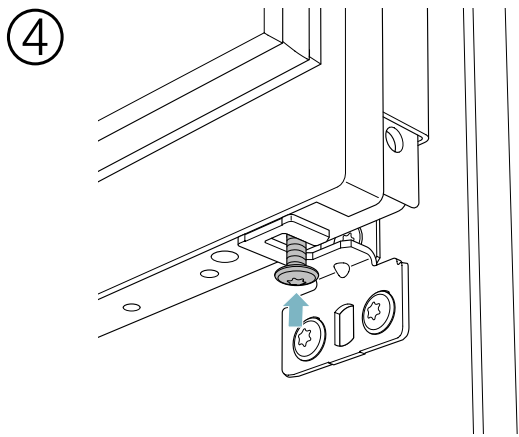
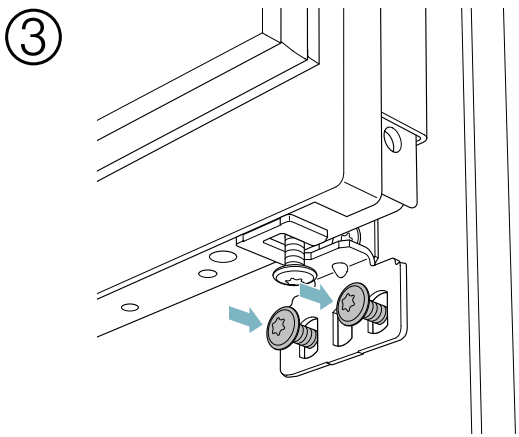
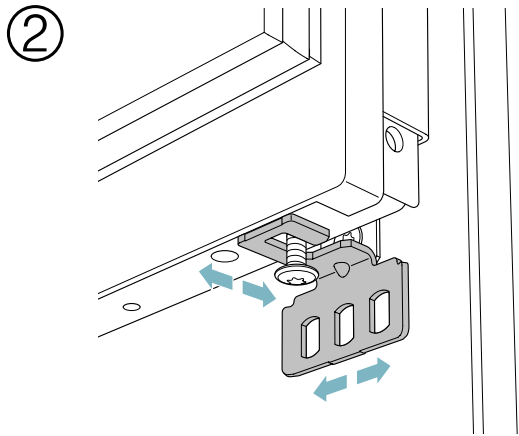
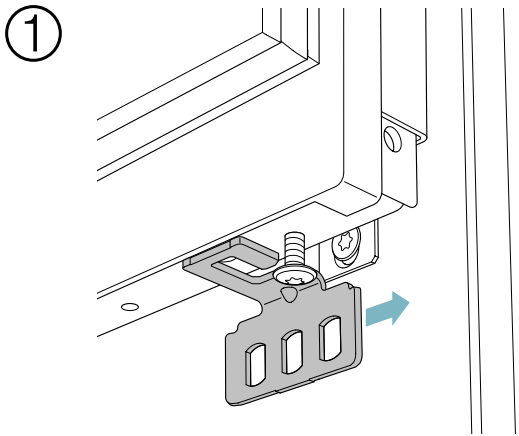


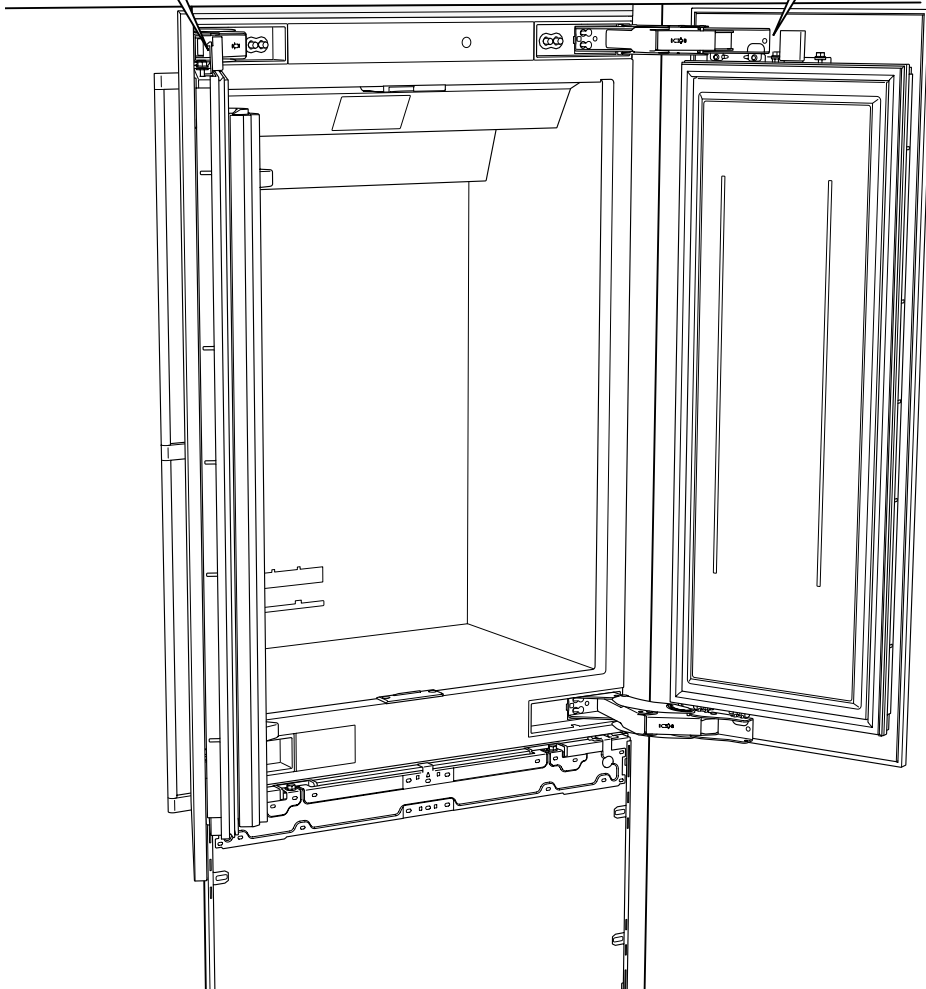
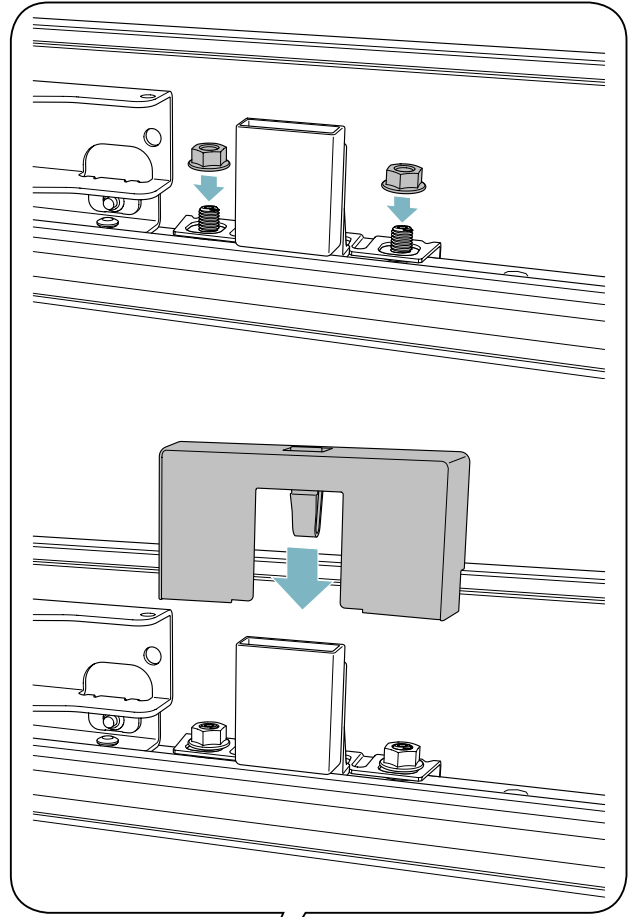
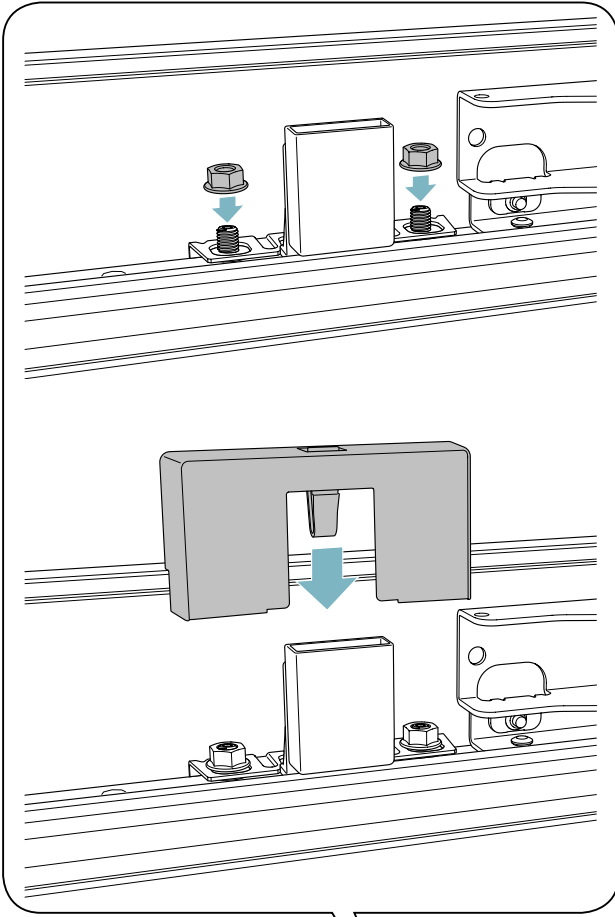


A
B
C
D

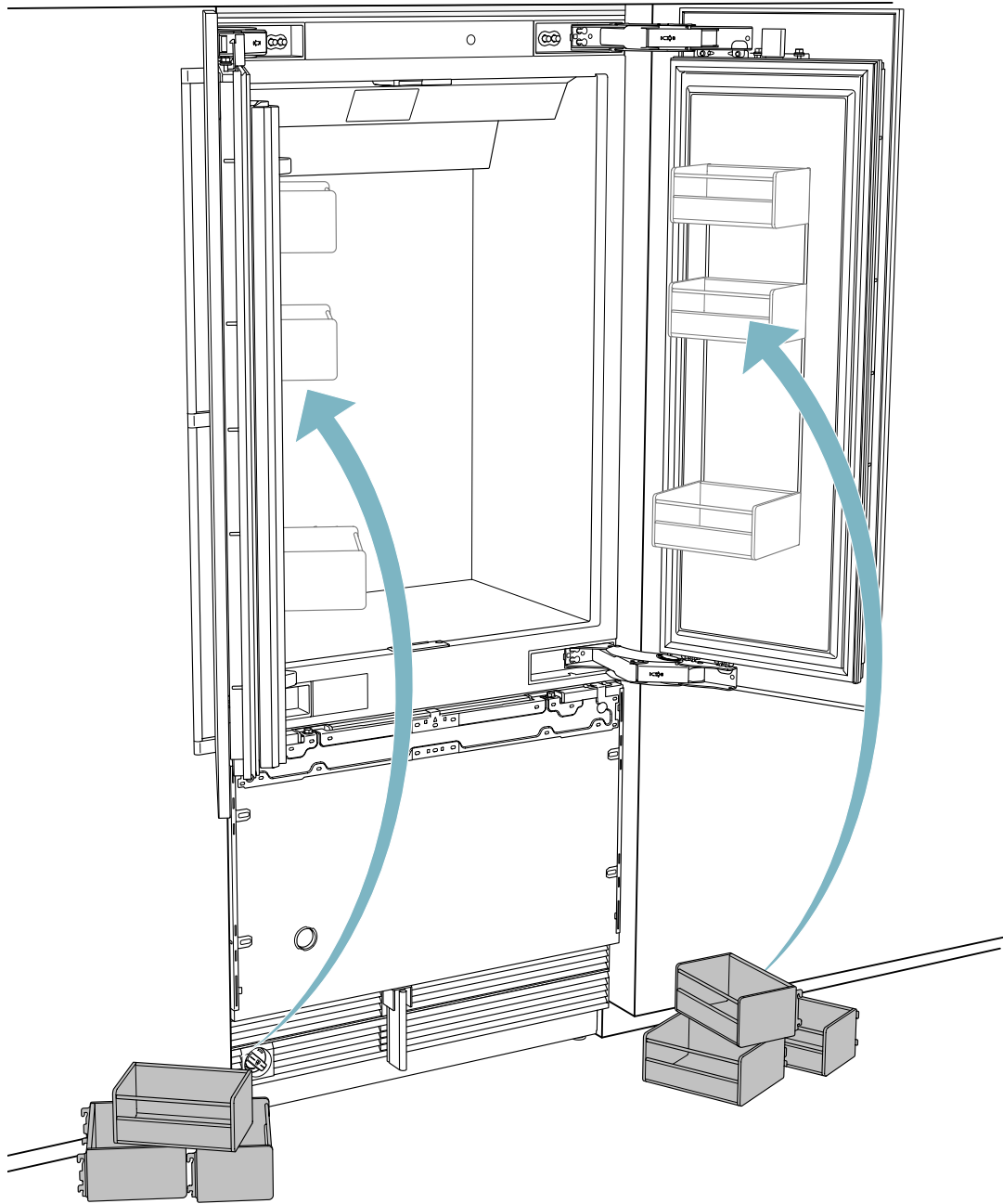


4x15   2x

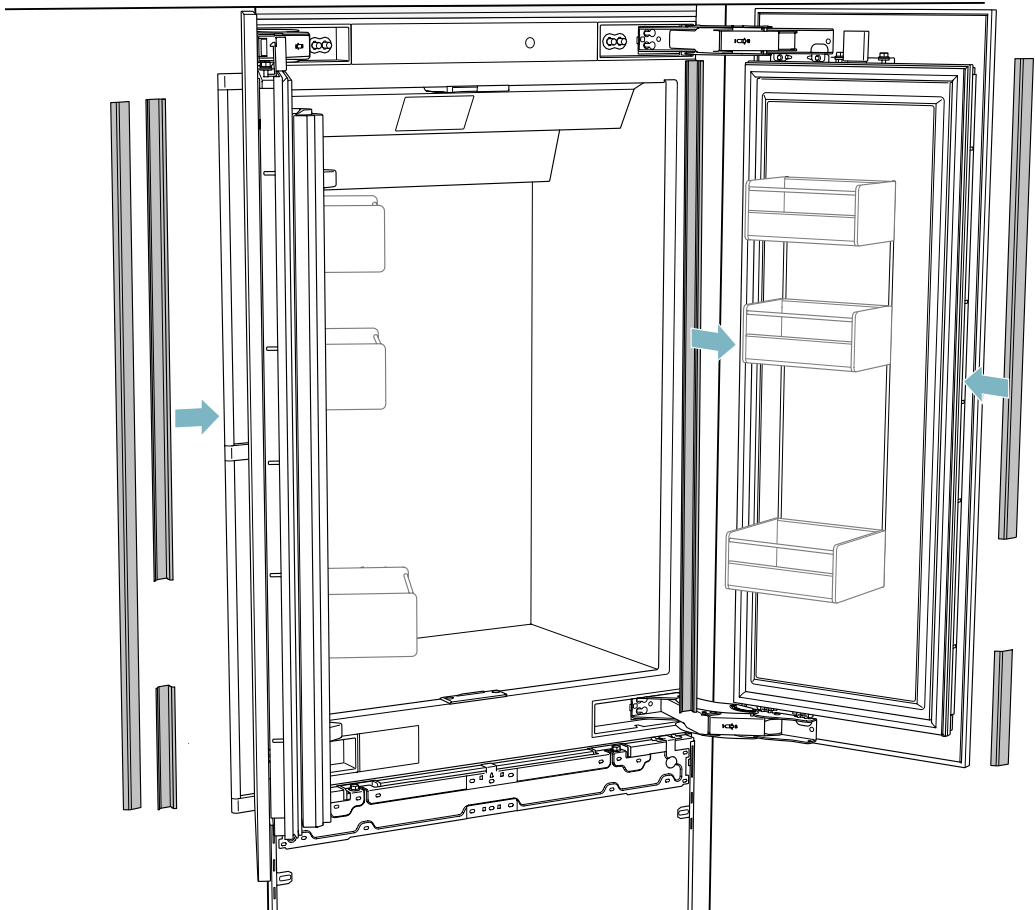
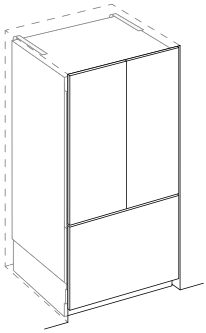
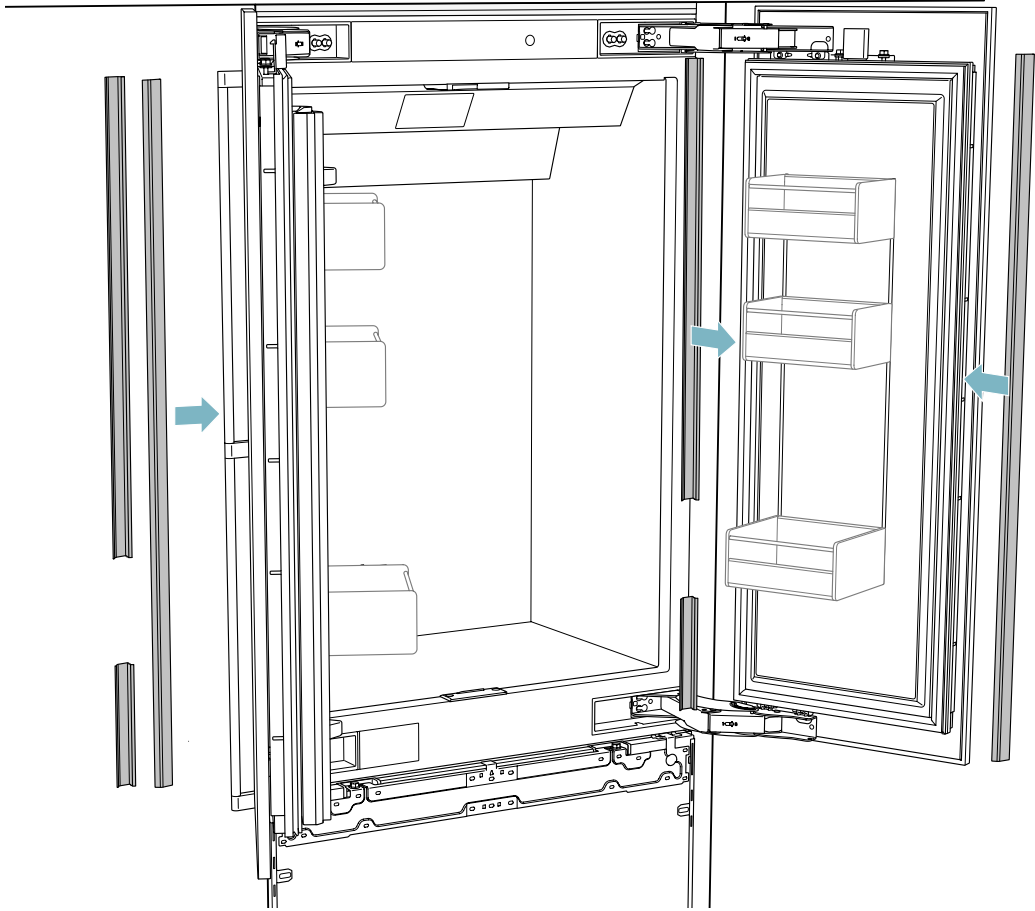
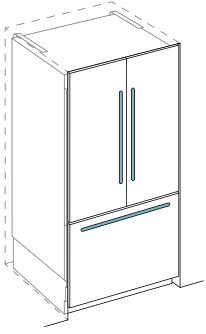




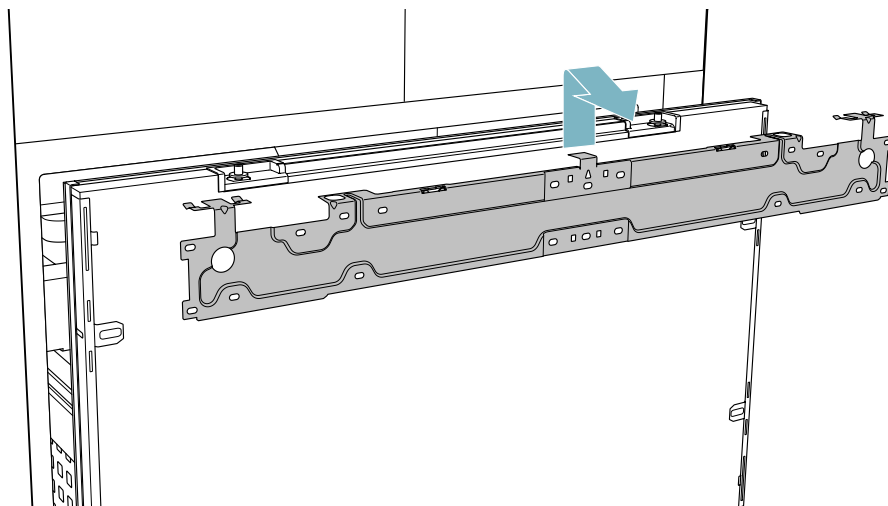
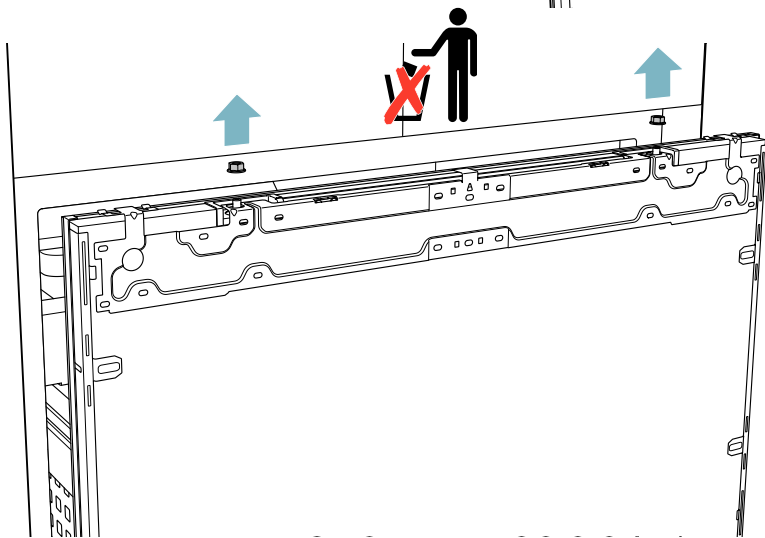
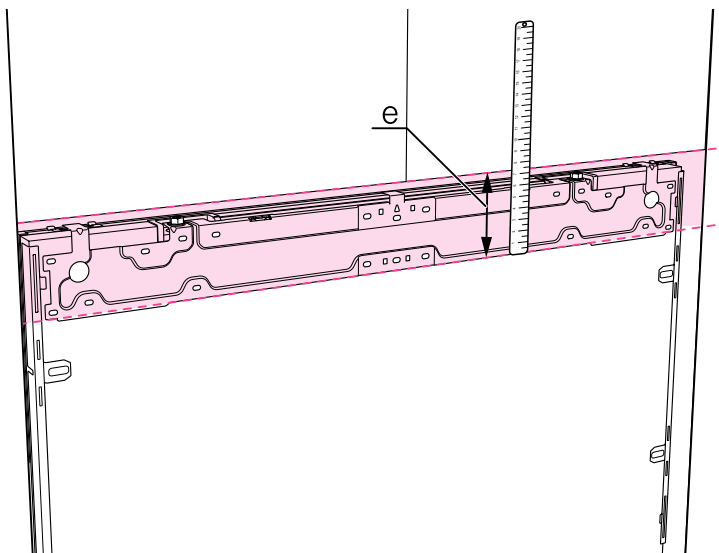
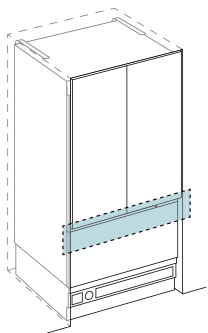
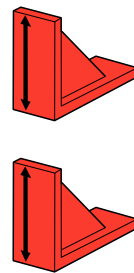
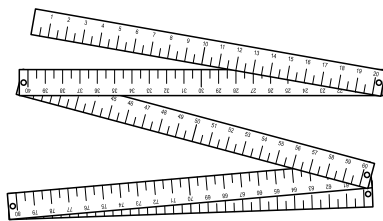
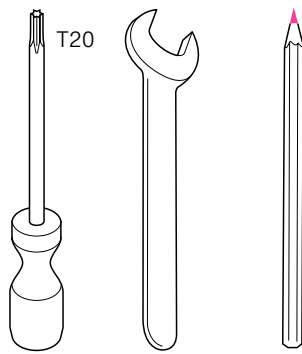
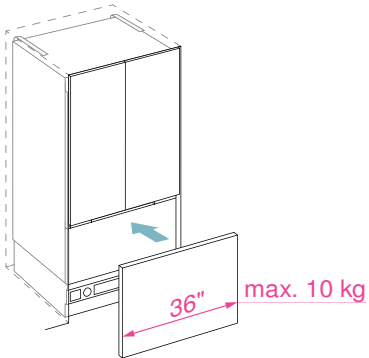
- A
- B
- C
- D

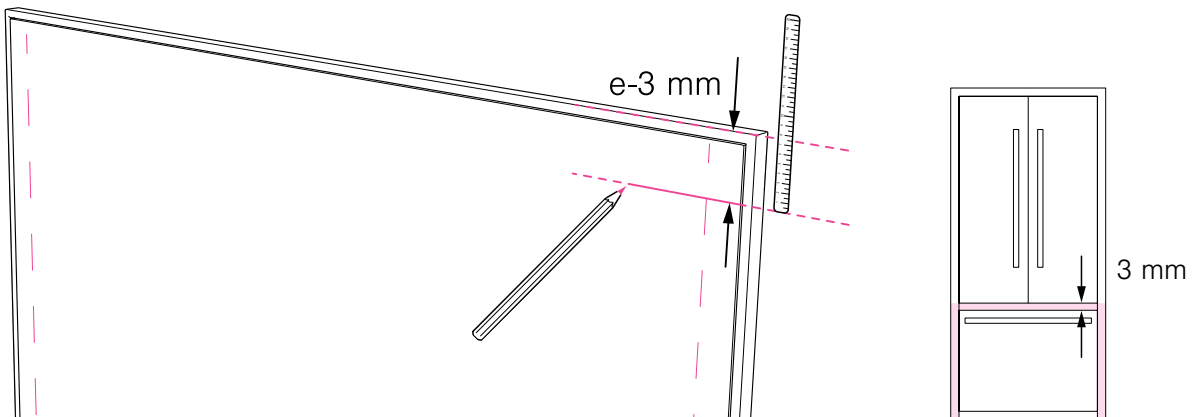
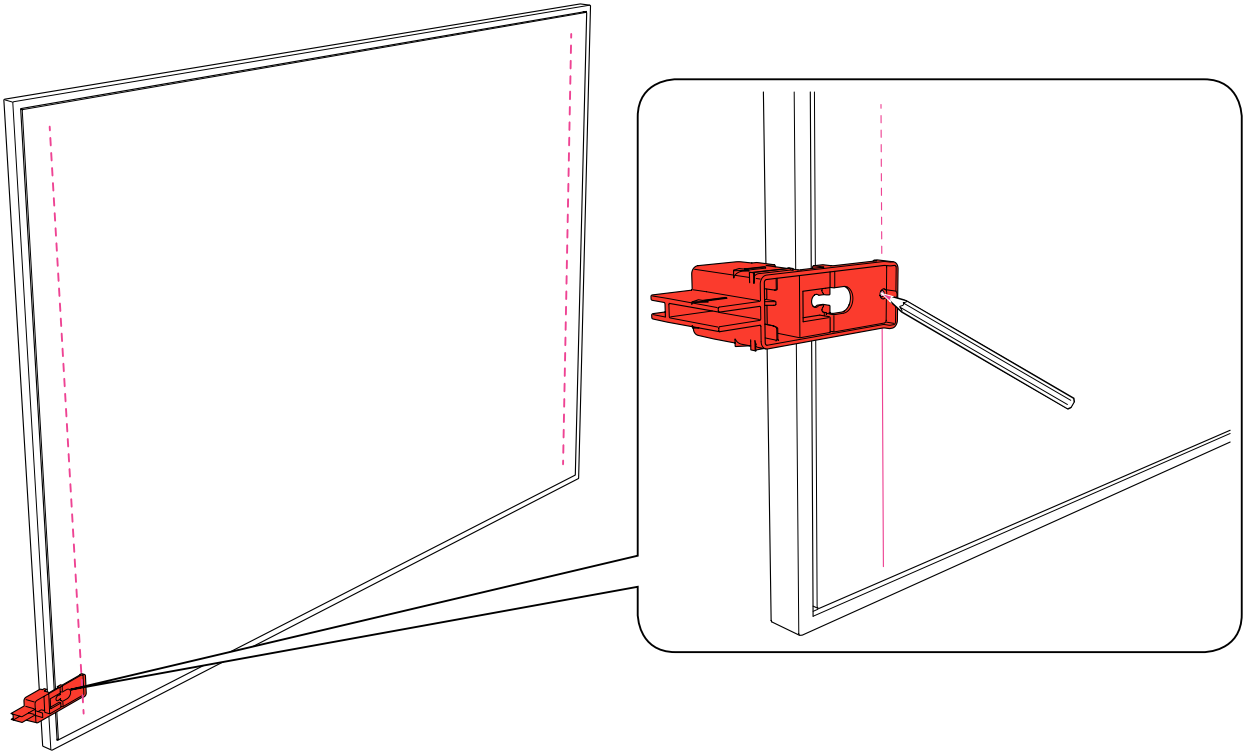
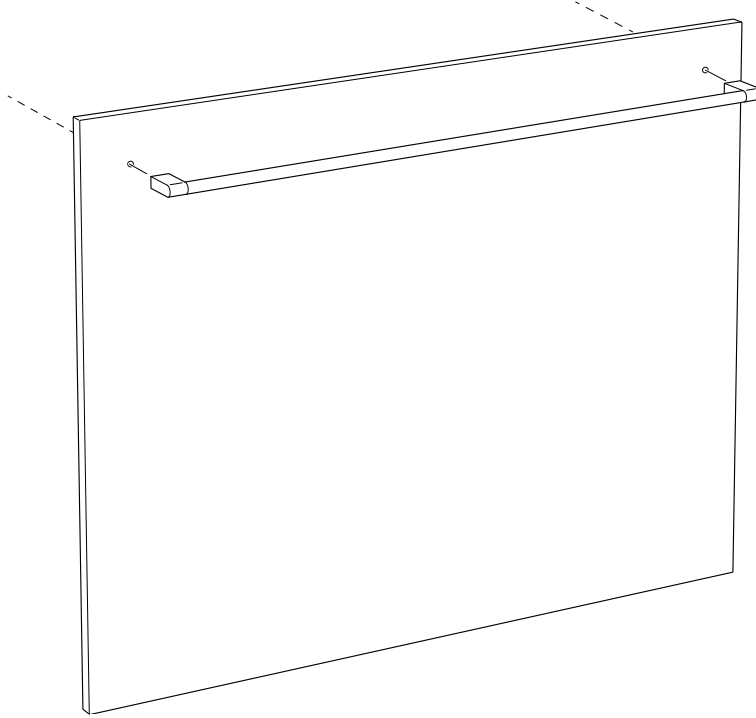
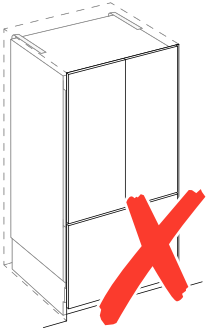
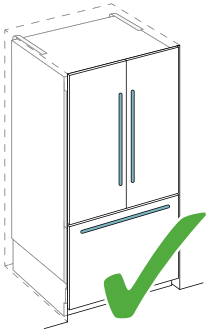


- A
- B
- C
- D





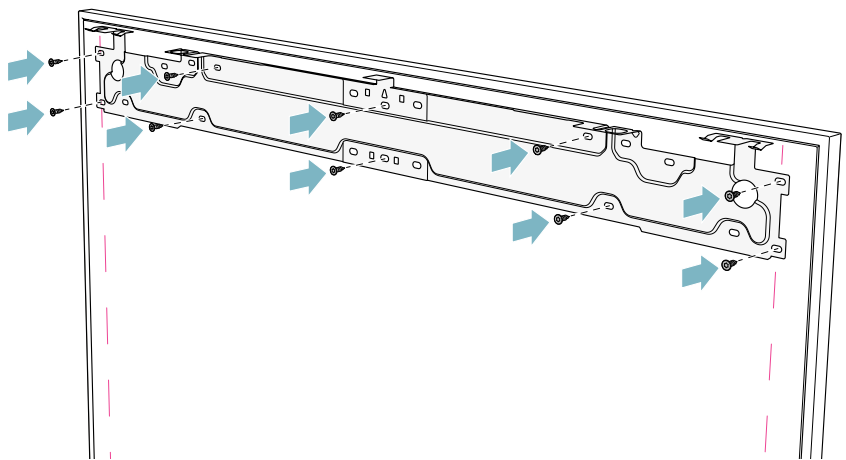
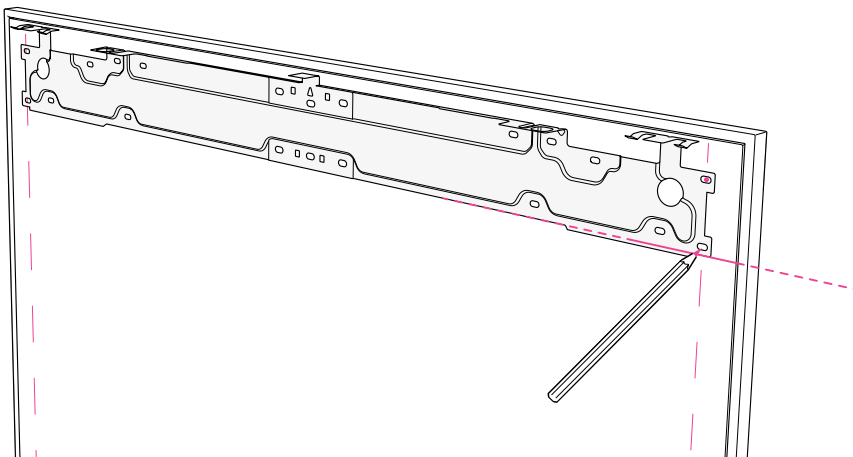
A
B
C
D


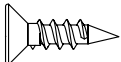


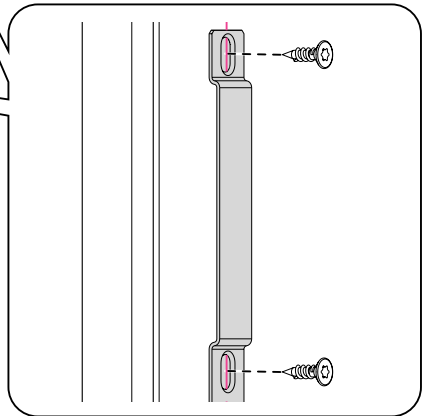
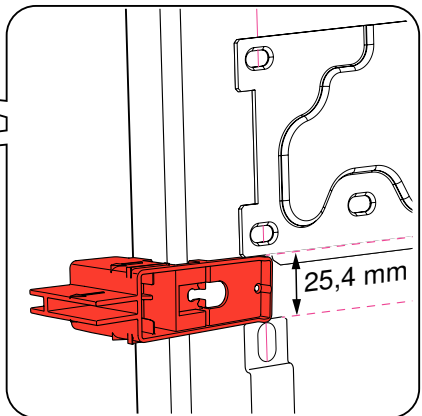
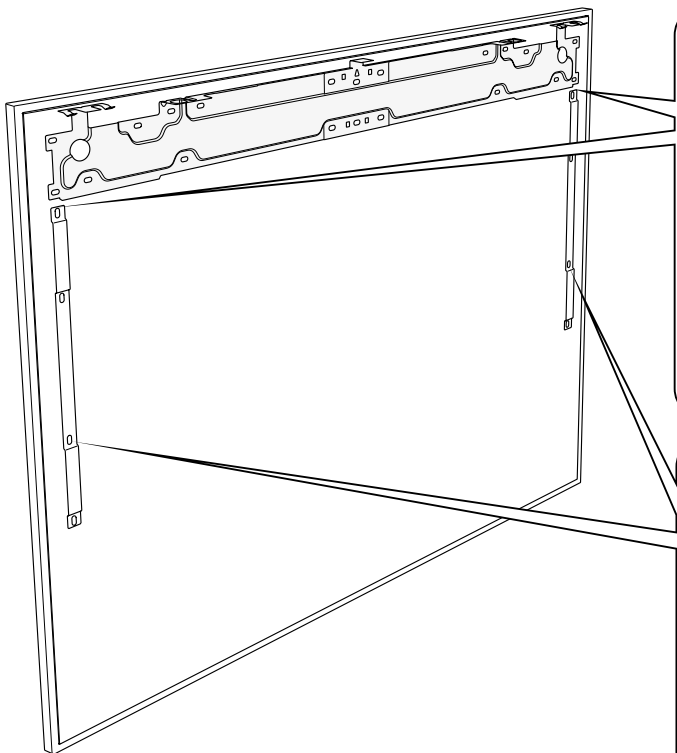


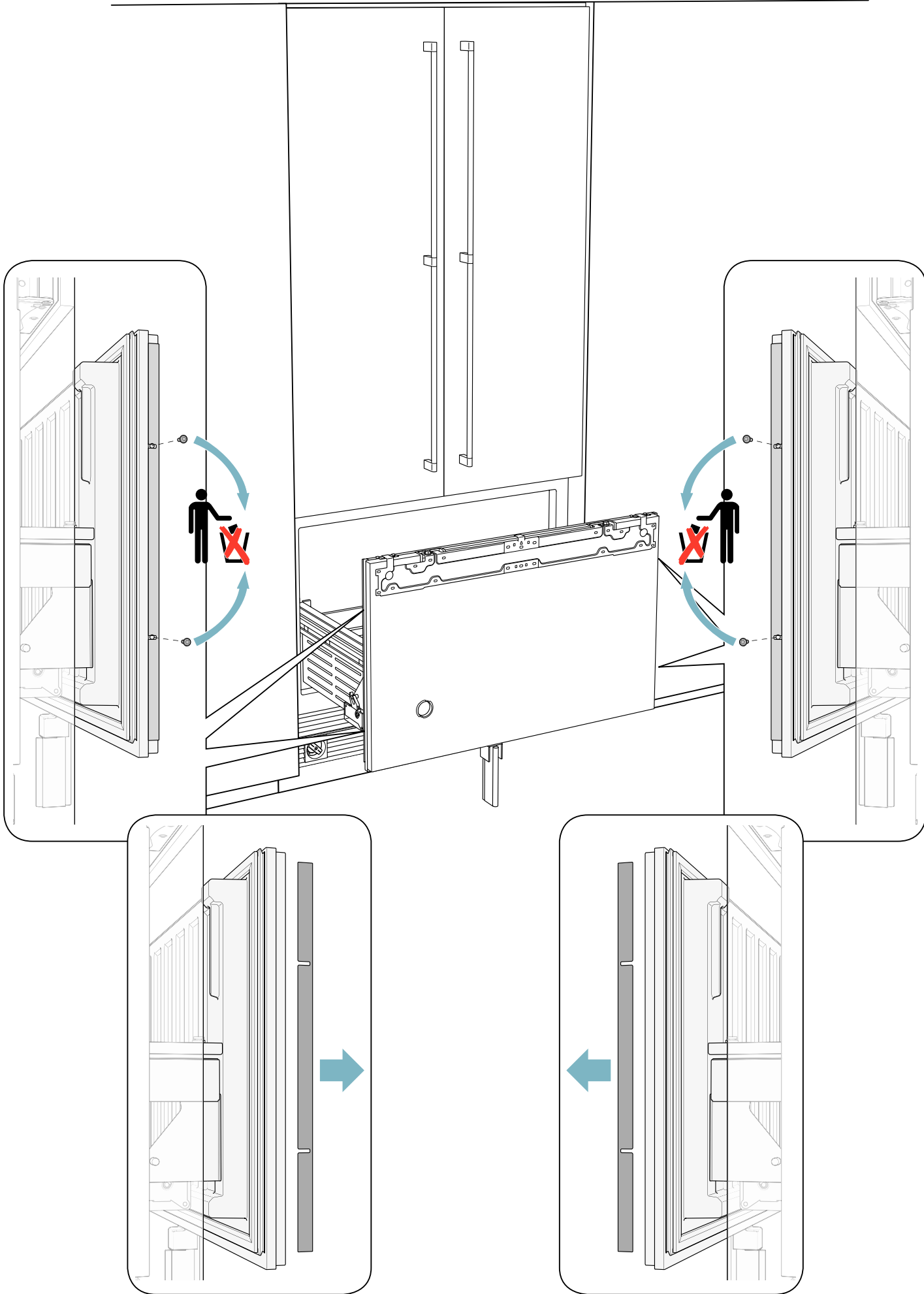
A
B
C
D

4x15   10x

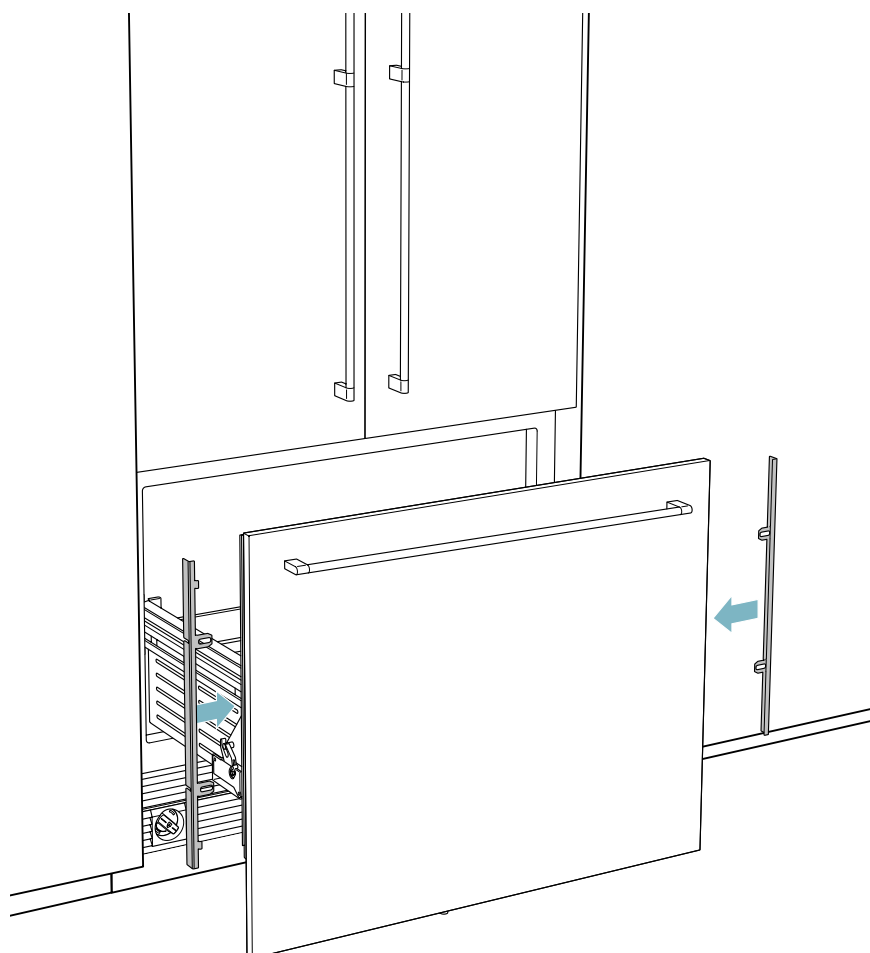
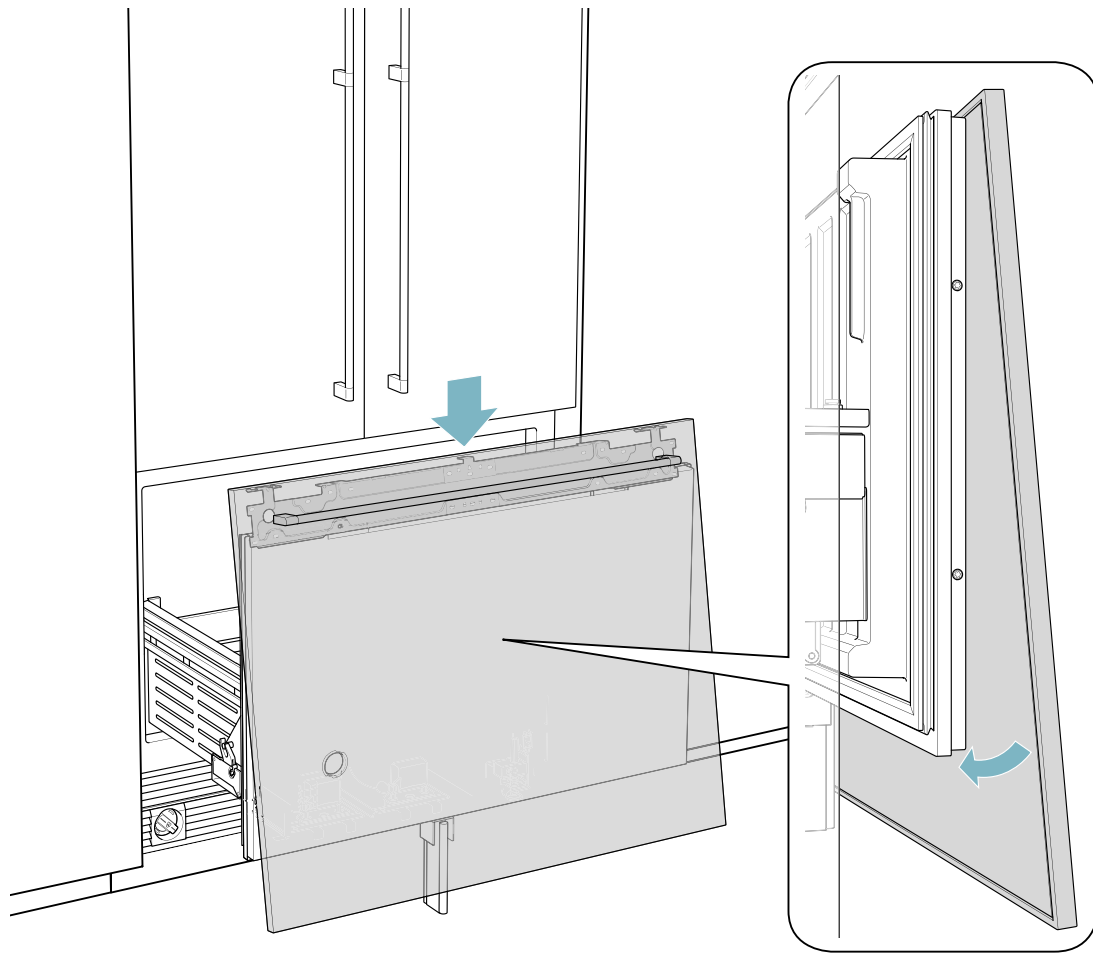


4x15   8x

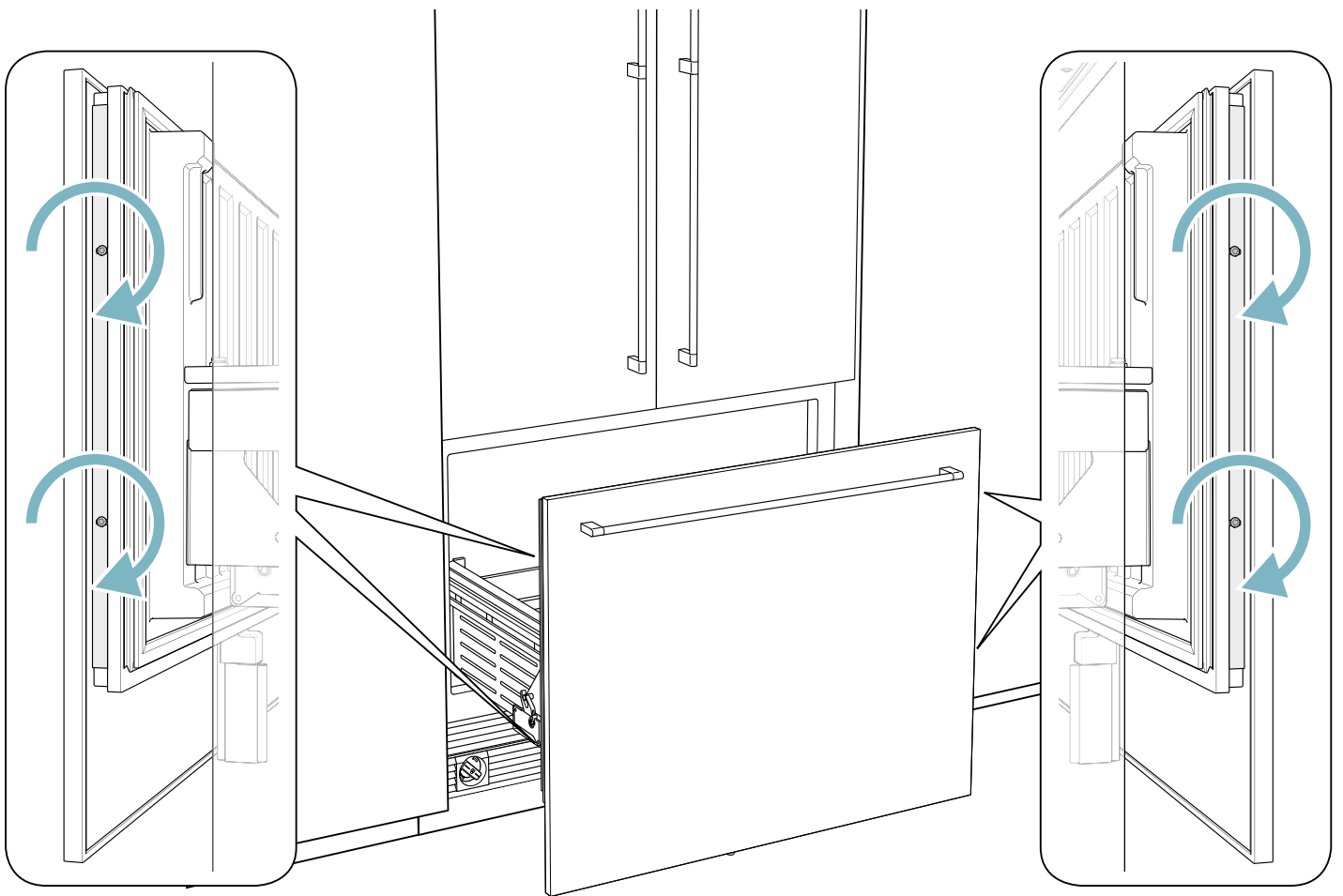
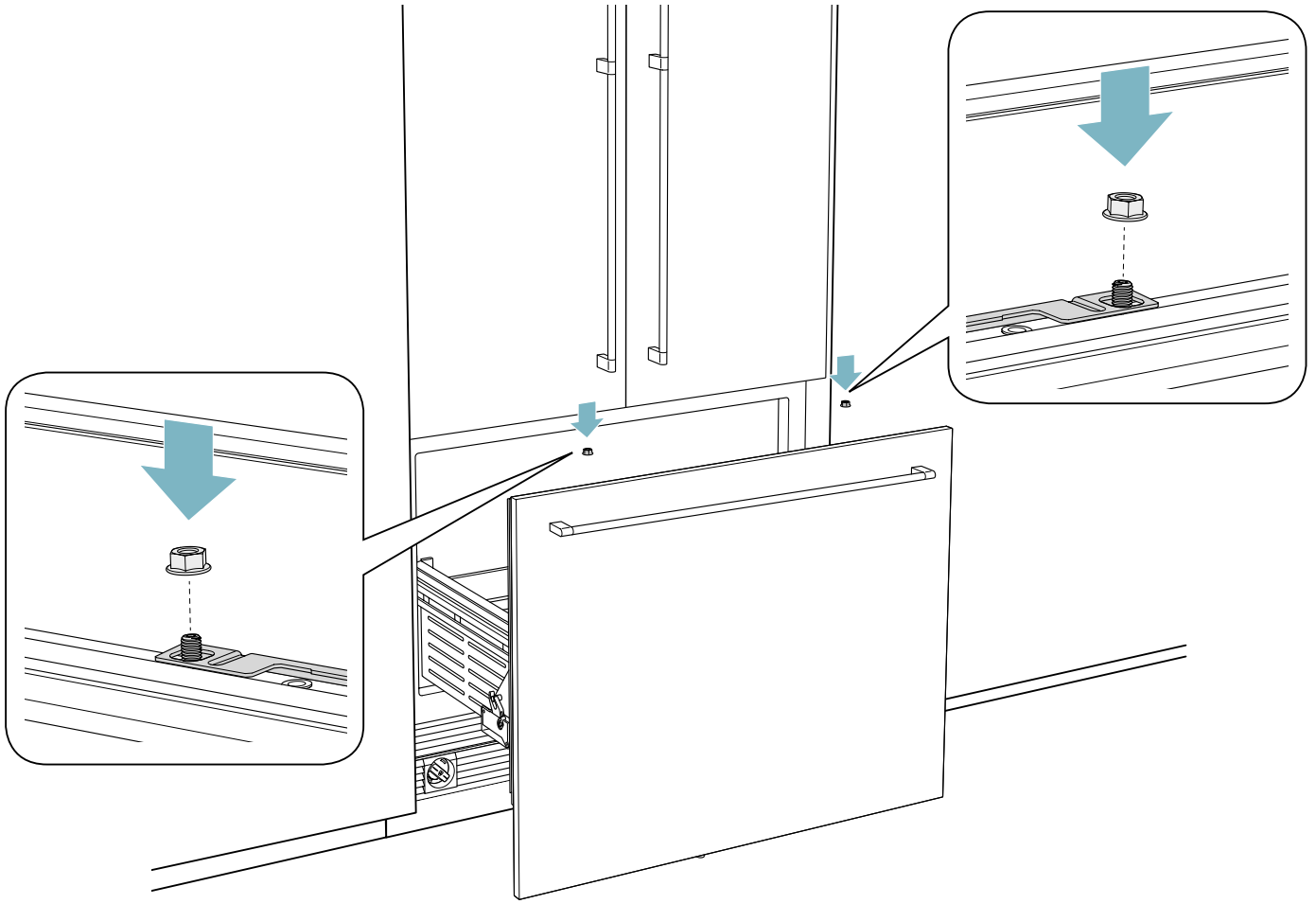




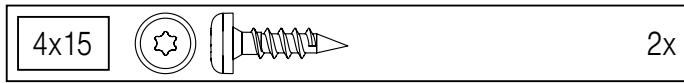
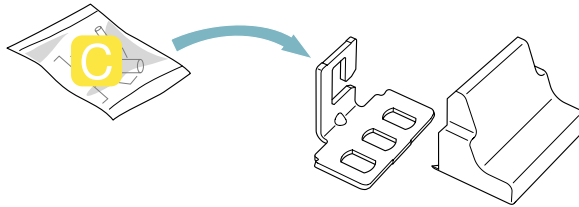
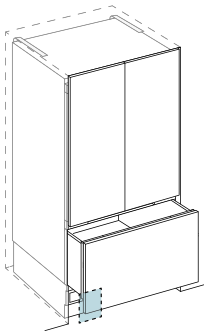
- A
- B
- C
- D



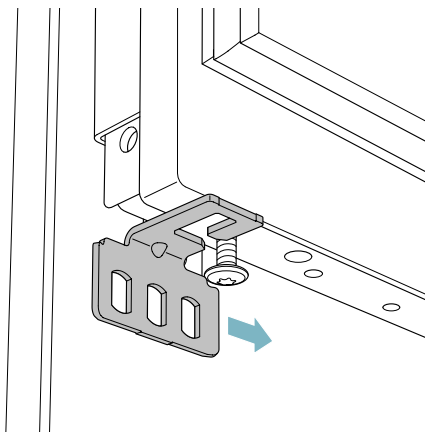
- A
- B
- C
- D



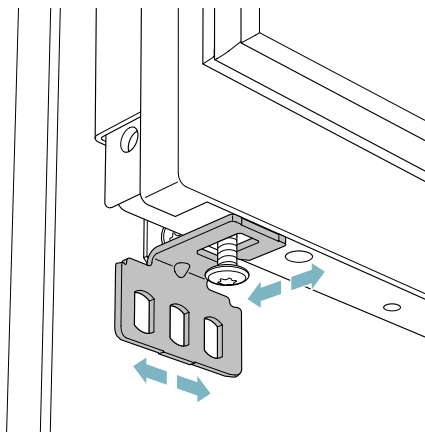
A
B
C
D



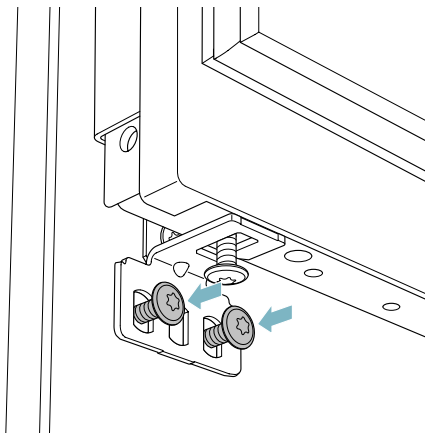
①



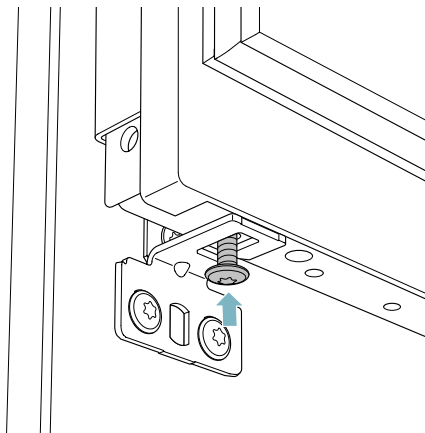
②



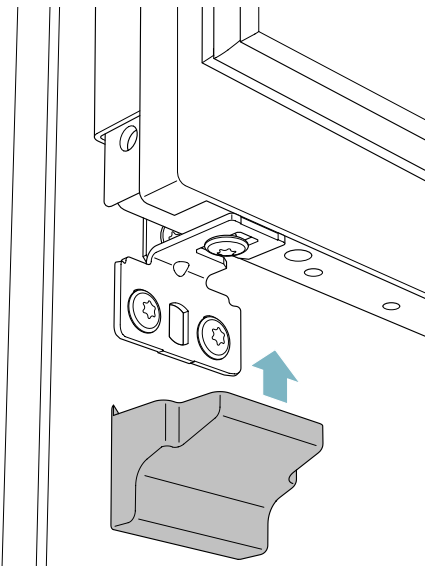
③



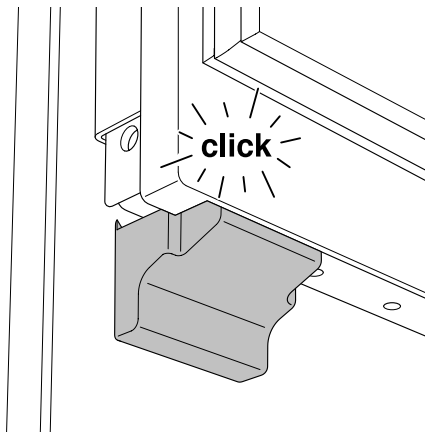
④

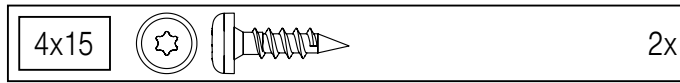
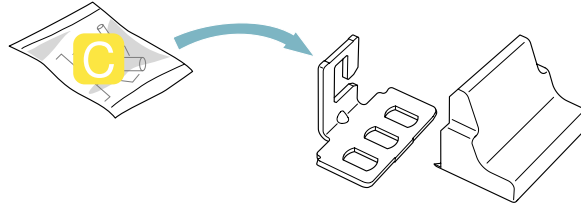
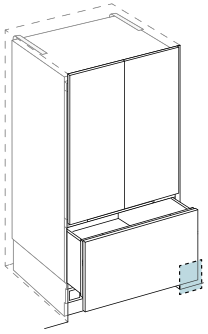


⑤

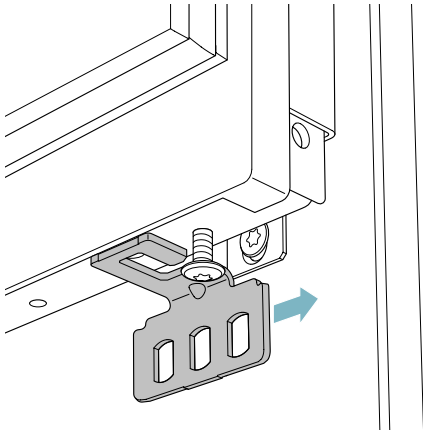


⑥

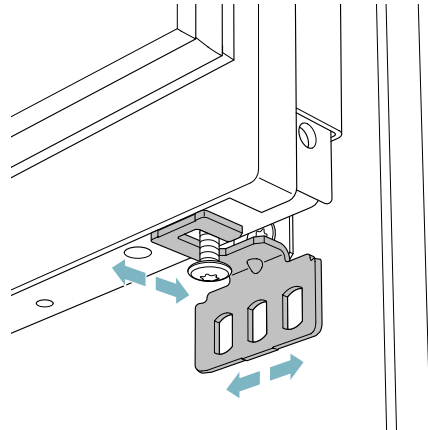




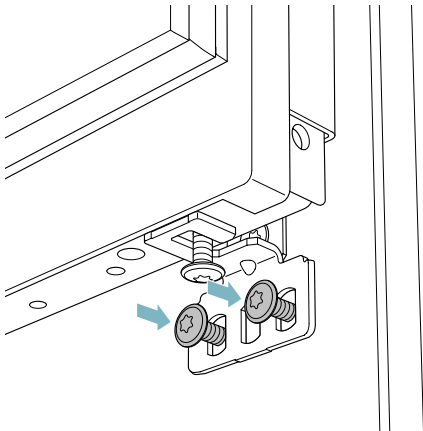
①



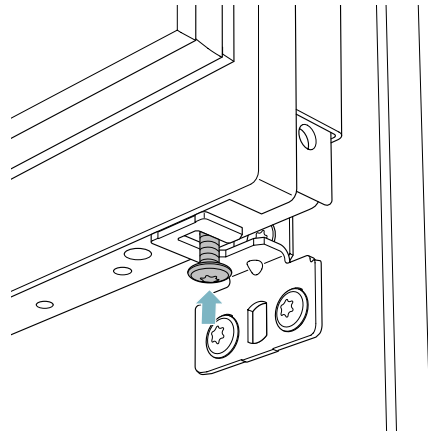
②



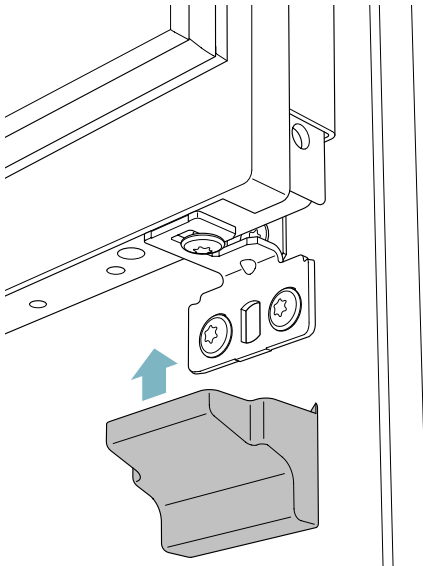
③



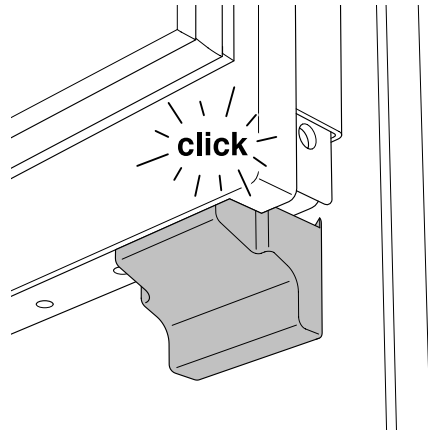
④



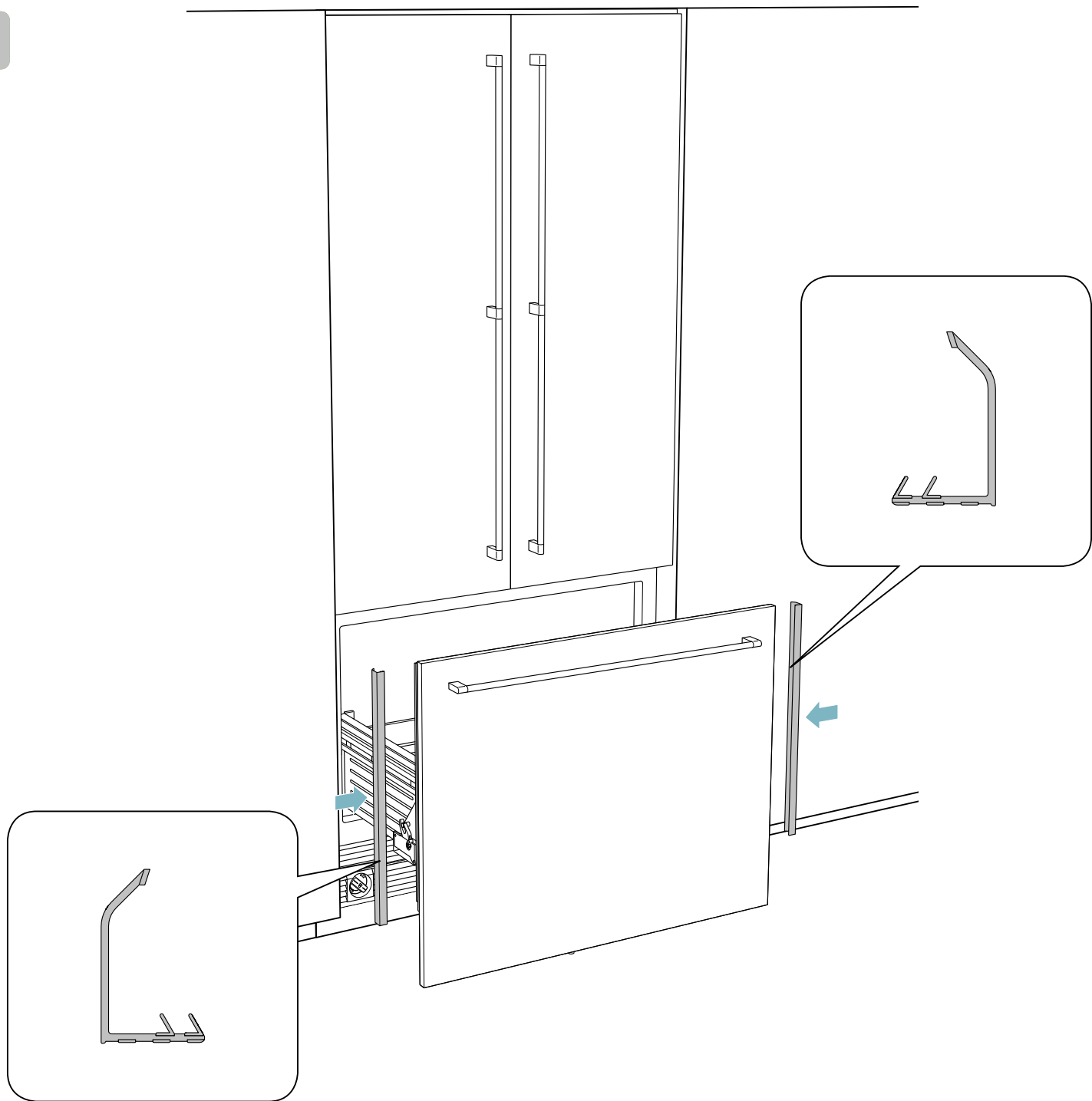
⑤



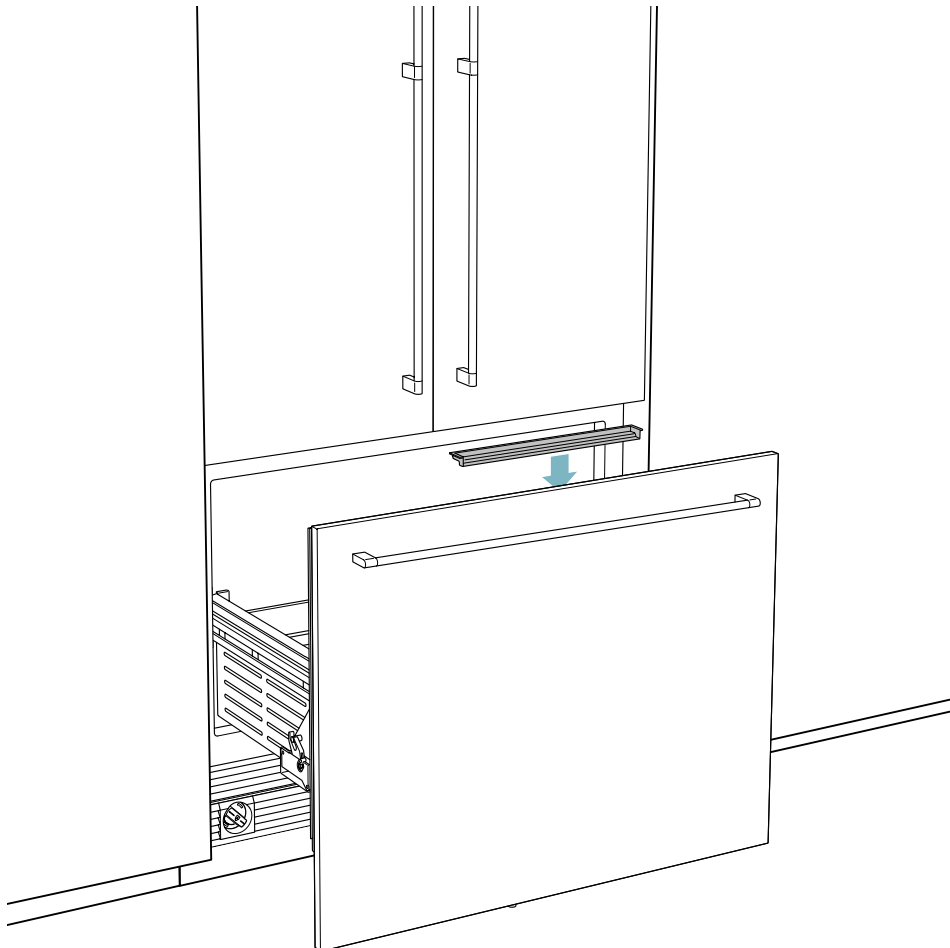
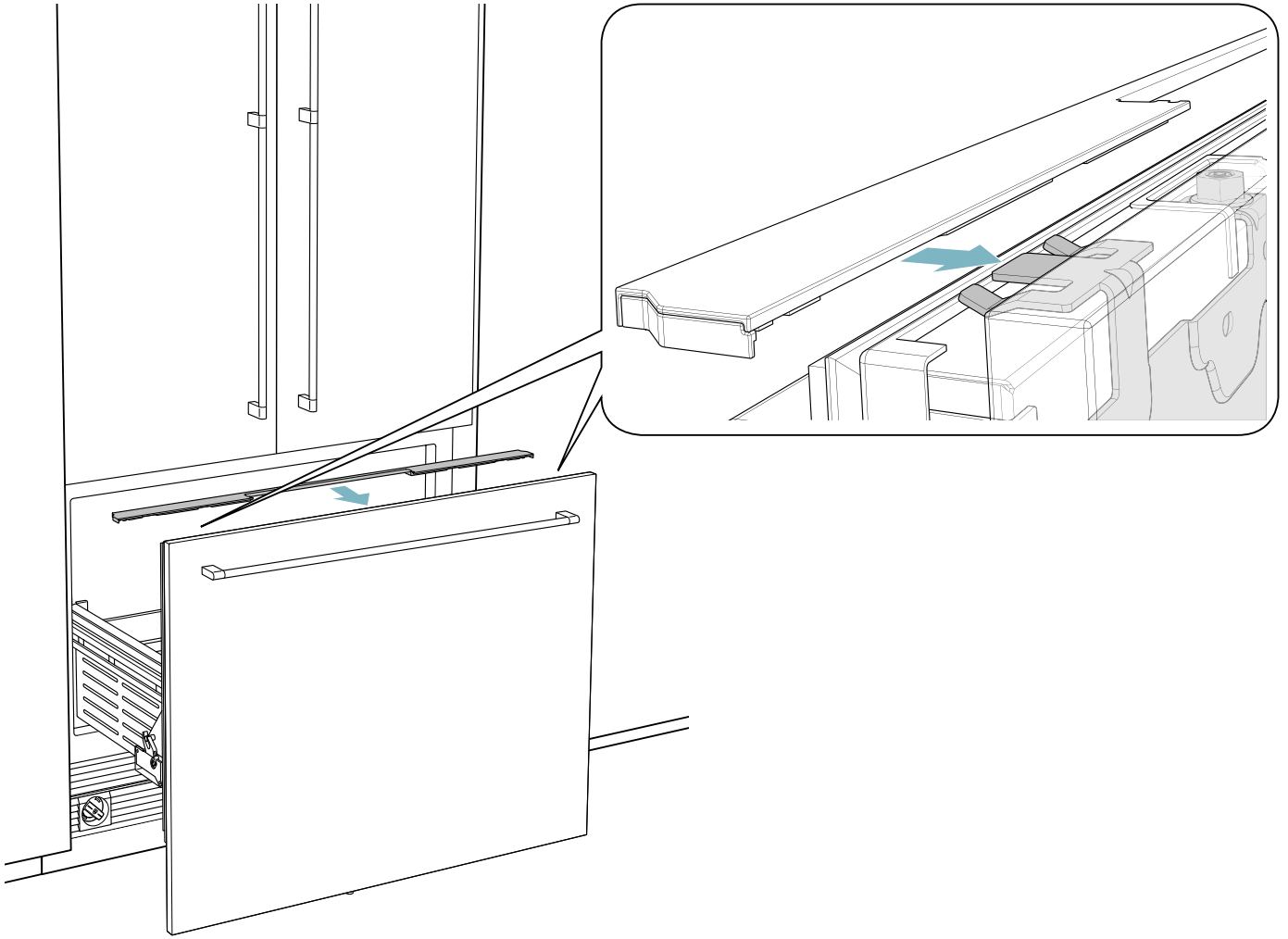
⑥



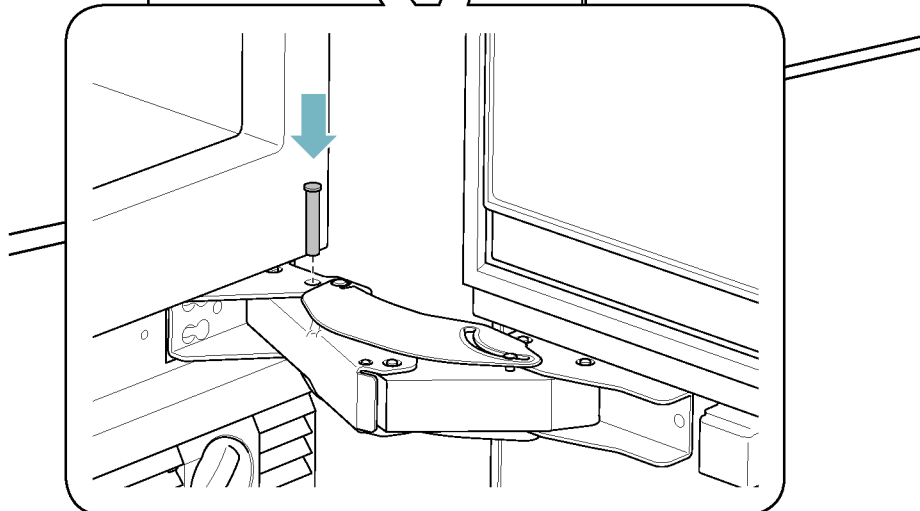
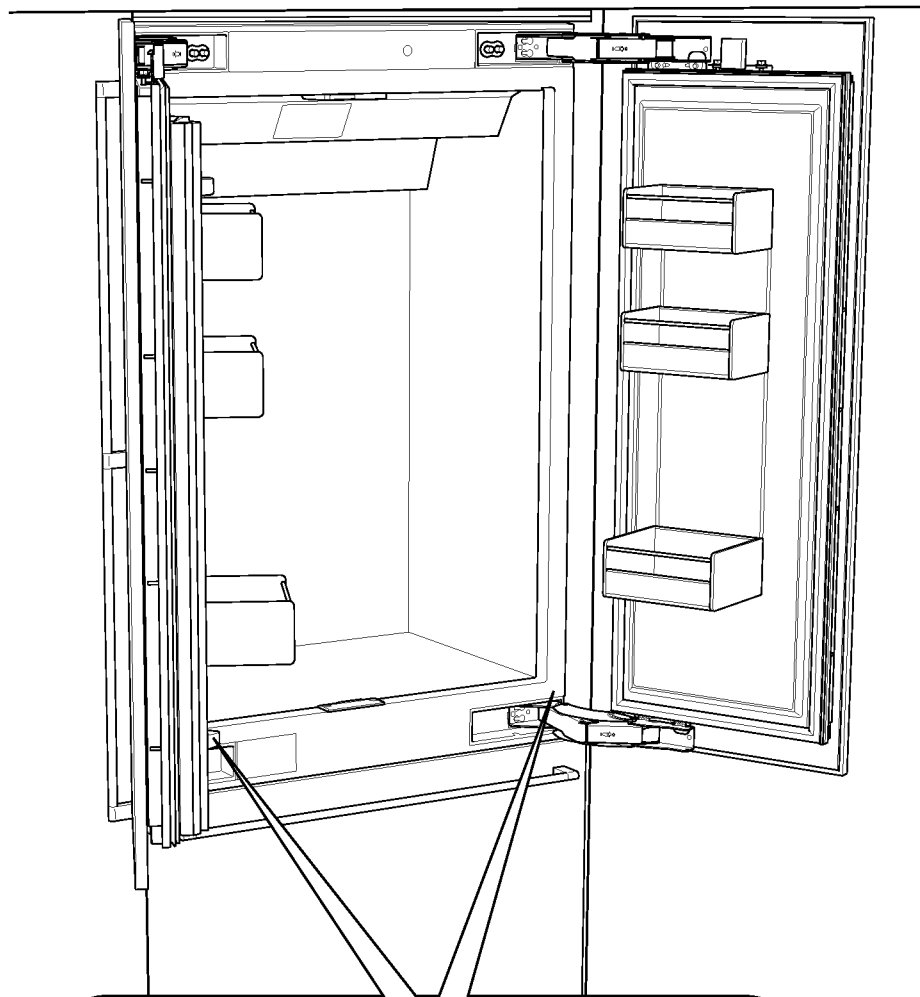
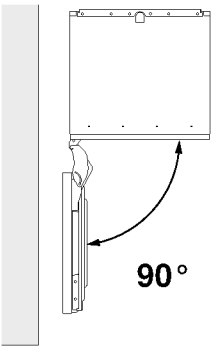
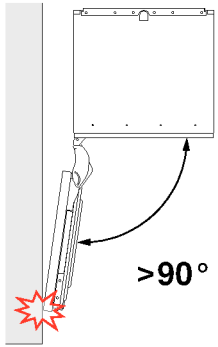
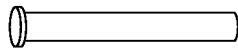
- A
- B
- C
- D

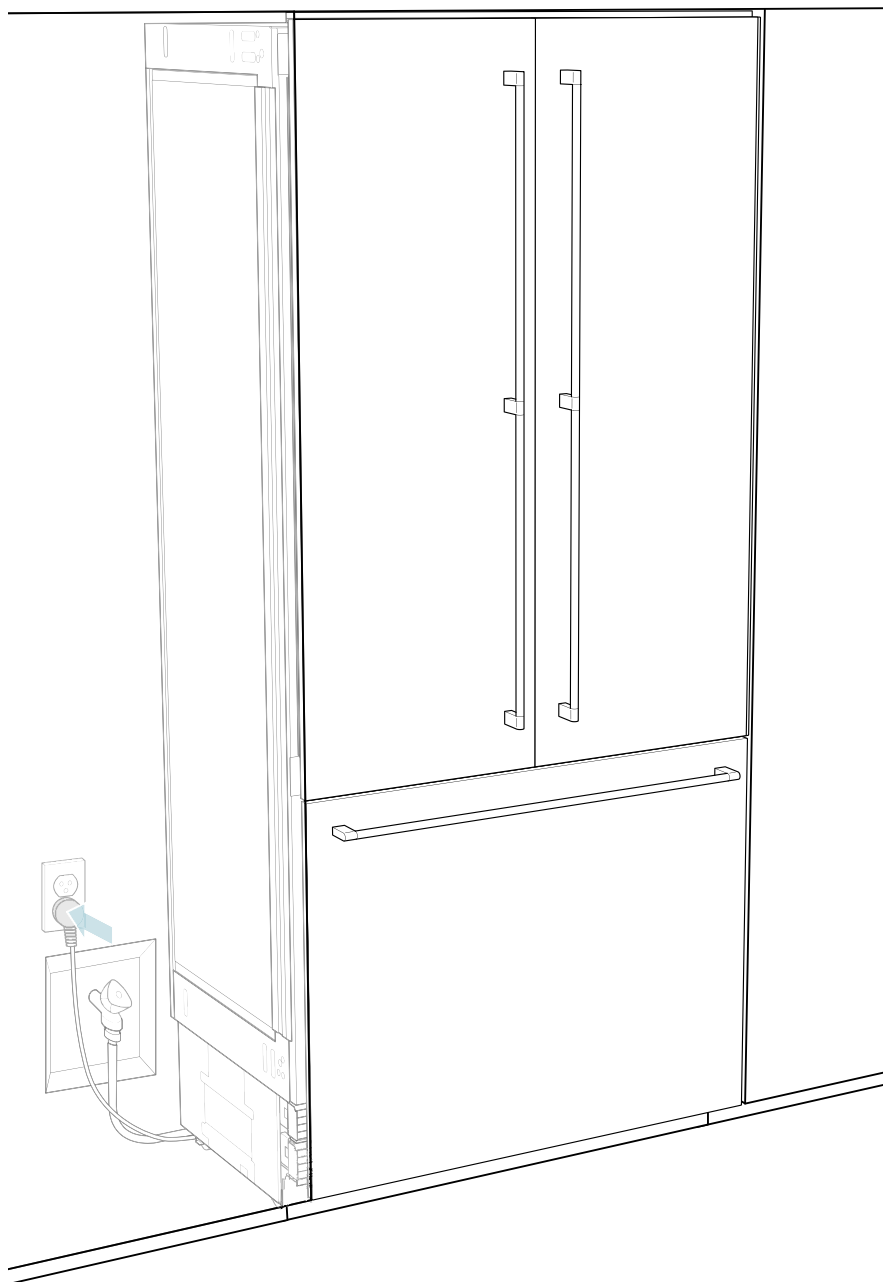


- A
- B
- C
- D



- A
- B
- C
- D





Gaggenau Hausgeräte GmbH
Carl-Wery-Straße 34
D-81739 München
www.gaggenau.com

8001132078 (9808)
xx

GAGGENAU

